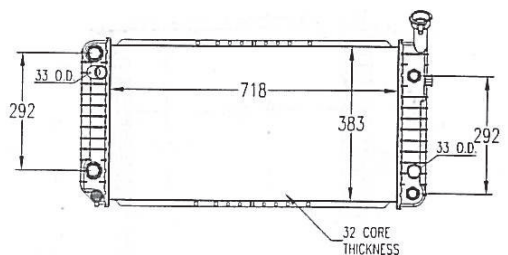
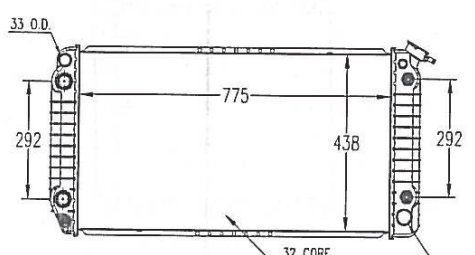
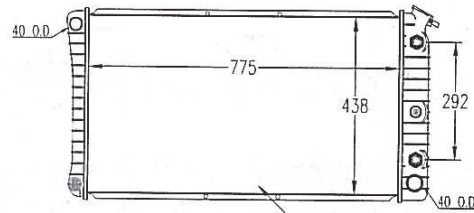
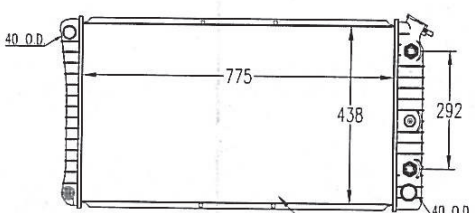
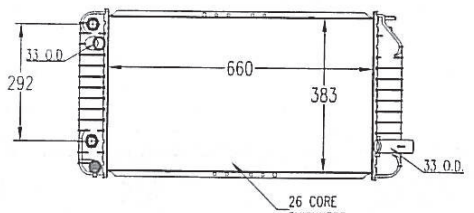
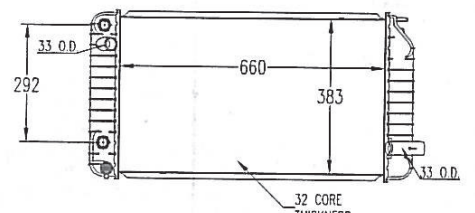
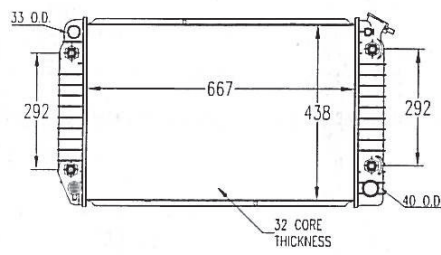
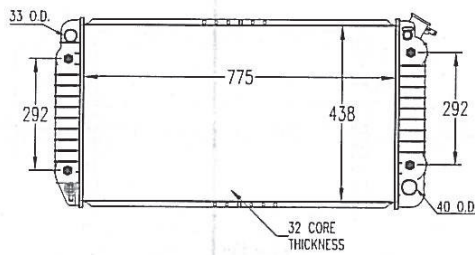
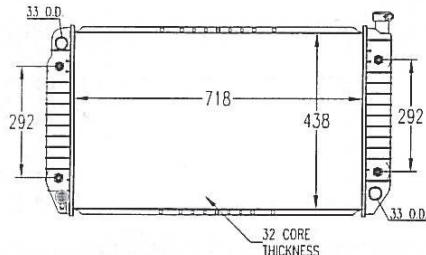
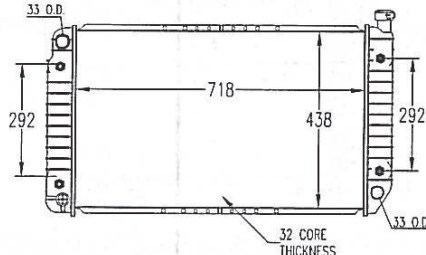
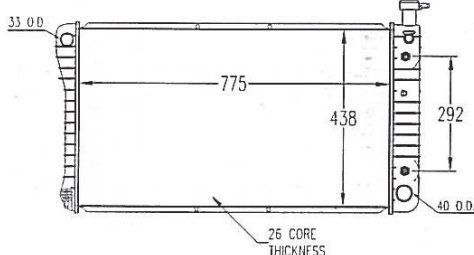
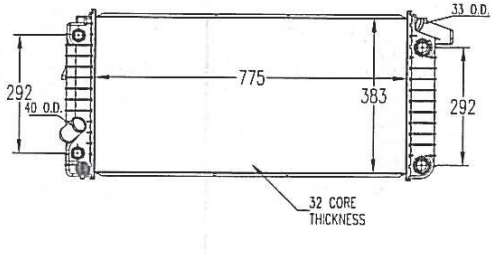
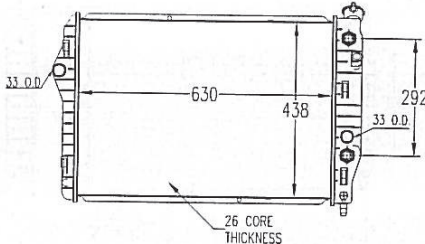
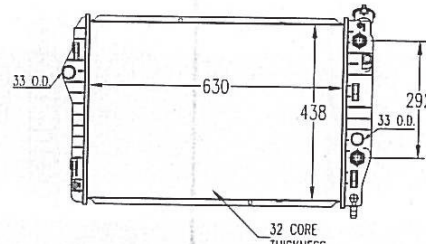
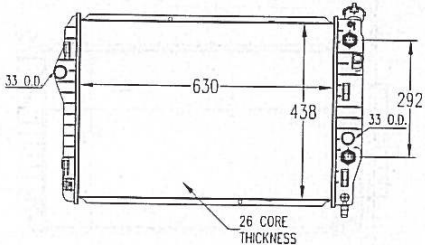
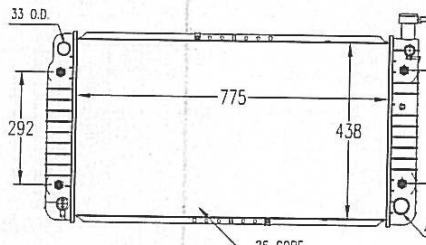
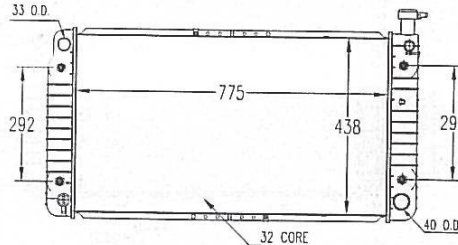
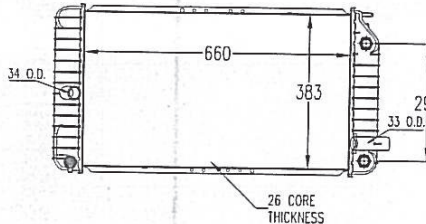
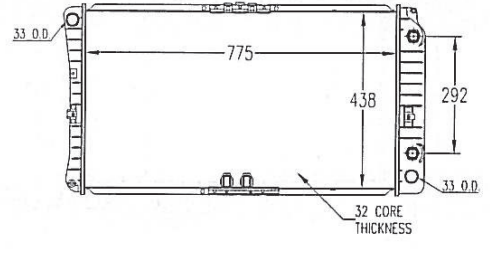
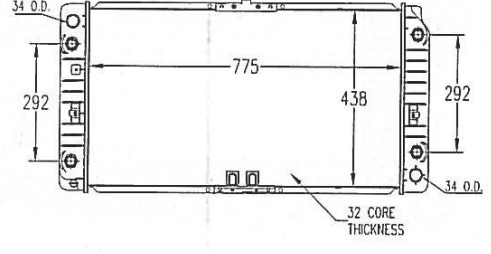
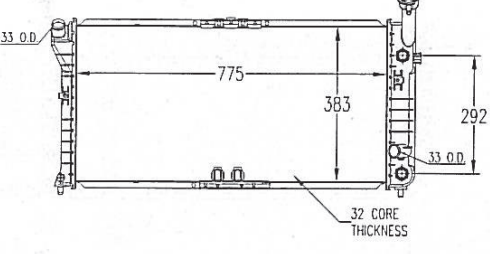
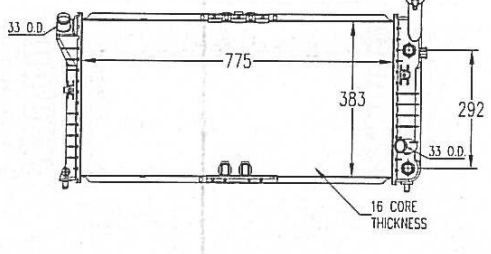
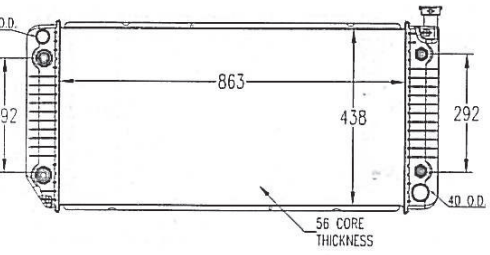
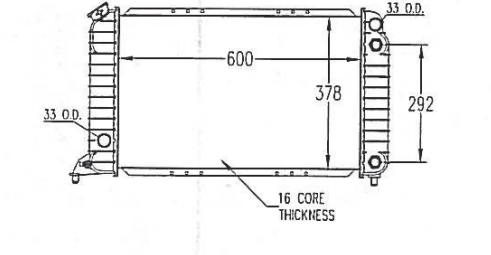
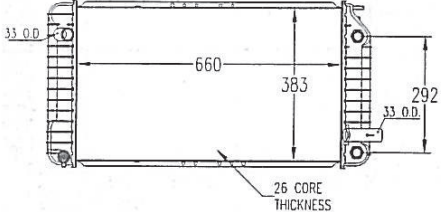
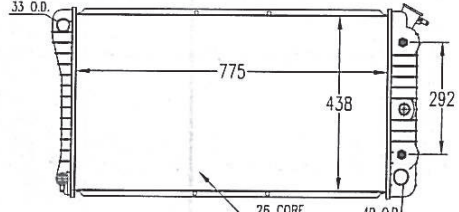
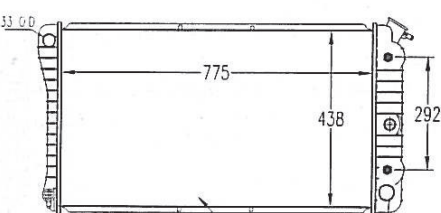
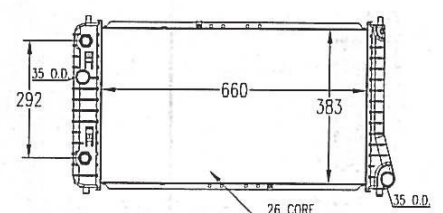
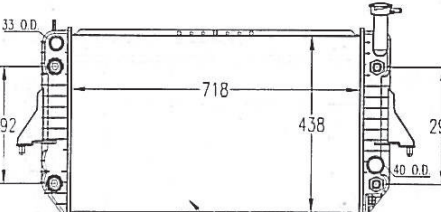
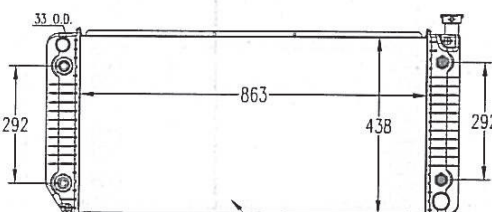


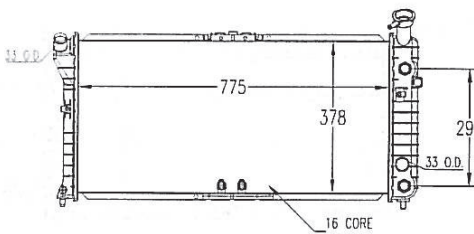
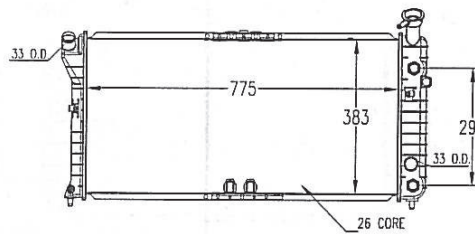
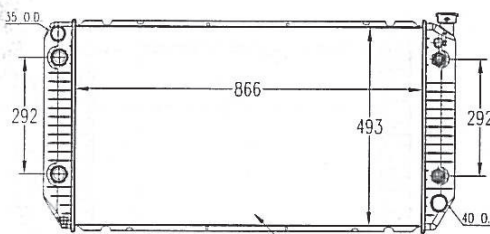
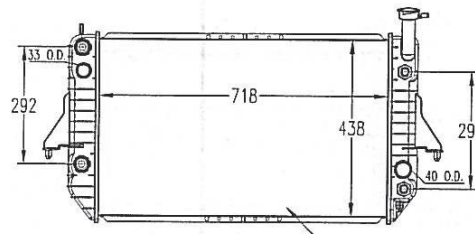
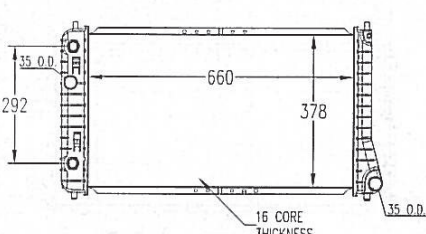
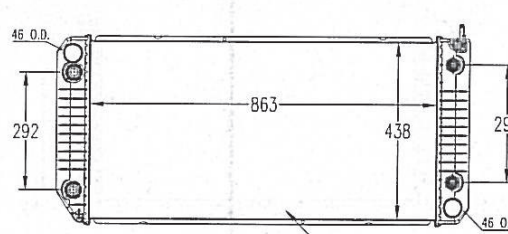
Regal / Lumina	
LT0093 DPI:1051	LT0096 DPI:1067
 <p>Core Size: 28-1/4×15×1-1/4</p> <p>Inlet Header: 16-7/16×2-5/16 Outlet Header: 16-7/16×2-5/16 Tran Oil Cooler: 11-1/2(3-Plate)</p> <p>Inlet Conn: 1-5/16 Outlet Conn: 1-5/16 Eng Oil Cooler: 11-1/2(4-Plate)</p>	 <p>Core Size: 30-1/2×17-1/4×1-1/4</p> <p>Inlet Header: 18-9/16×2-1/3 Outlet Header: 18-9/16×2-1/3 Tran Oil Cooler: 11-1/2(3-Plate)</p> <p>Inlet Conn: 1-5/16 Outlet Conn: 1-9/16 Eng Oil Cooler: 11-1/2(4-Plate)</p>
OEM: 3053988 / 52453547	
OEM: 52453863 / 52453881	
Bonneville / LSS	
LT0127 DPI:1202	LT0128 DPI:1202
 <p>Core Size: 30-1/2×17-1/4×1</p> <p>Inlet Header: 18-9/16×2-5/16 Outlet Header: 18-9/16×2-5/16 Tran Oil Cooler: NONE</p> <p>Inlet Conn: 1-9/16 Outlet Conn: 1-9/16 Eng Oil Cooler: 11-1/2(4-Plate)</p>	 <p>Core Size: 30-1/2×17-1/4×1-1/4</p> <p>Inlet Header: 18-9/16×2-5/16 Outlet Header: 18-9/16×2-5/16 Tran Oil Cooler: NONE</p> <p>Inlet Conn: 1-9/16 Outlet Conn: 1-9/16 Eng Oil Cooler: 11-1/2(4-Plate)</p>
OEM: 52455637 / 52493121	
OEM: 52455637 / 52493121	
92-93 Grand AM / Skylark	
LT0161 DPI:1343	LT0162 DPI:1344
 <p>Core Size: 26×15×1</p> <p>Inlet Header: 16-7/16×2-5/16 Outlet Header: 16-7/16×2-5/16 Tran Oil Cooler: 11-1/2(4-Plate)</p> <p>Inlet Conn: 1-5/16 Outlet Conn: 1-5/16 Eng Oil Cooler: NONE</p>	 <p>Core Size: 26×15×1-1/4</p> <p>Inlet Header: 16-7/16×2-5/16 Outlet Header: 16-7/16×2-5/16 Tran Oil Cooler: 11-1/2(4-Plate)</p> <p>Inlet Conn: 1-5/16 Outlet Conn: 1-5/16 Eng Oil Cooler: NONE</p>
OEM: YS9392 / 52455926	
OEM: 52455926 / 52455927	

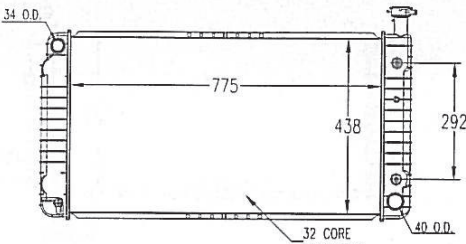
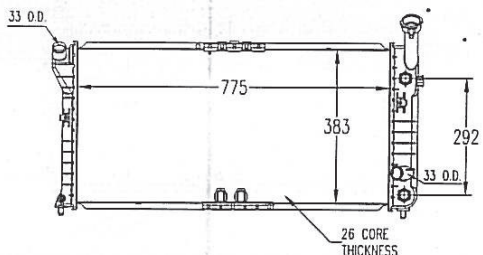
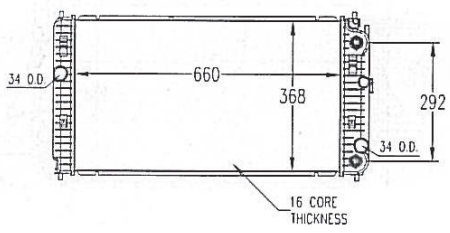
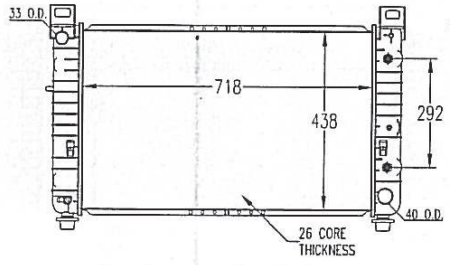
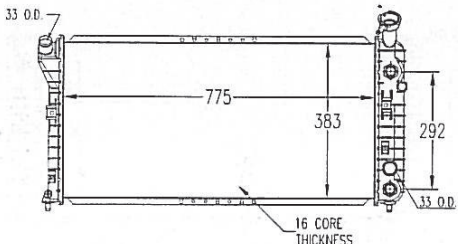
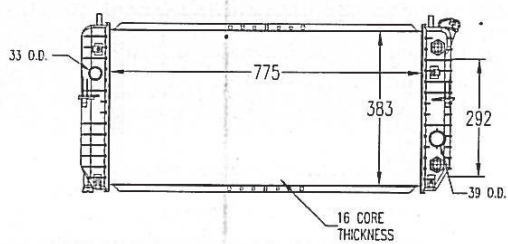
Century / Celebrity LT0163	Delta 88 / Eighty Eight / Royale / Park Avenue LT0206
DPI:1348	DPI:1474
 <p>Core Size: 26-1/4×17-1/4×1-1/4</p> <p>Inlet Header: 18-9/16×2-5/16 Outlet Header: 18-9/16×2-5/16 Tran Oil Cooler: 11-1/2(Concentric)</p> <p>Inlet Conn: 1-5/16 Outlet Conn: 1-9/16 Eng Oil Cooler: 11-1/2(Concentric)</p>	 <p>Core Size: 30-1/2×17-1/4×1-1/4</p> <p>Inlet Header: 18-9/16×2-5/16 Outlet Header: 18-9/16×2-5/16 Tran Oil Cooler: 11-1/2(4-Plate)</p> <p>Inlet Conn: 1-5/16 Outlet Conn: 1-9/16 Eng Oil Cooler: 11-1/2(4-Plate)</p>
Notes: 1 Row, Plastic Tanks/Aluminum Core	OEM: 52461785 / 52462630
Lumina Apv LT0207	Lumina Apv LT0208
DPI:1475	DPI:1476
 <p>Core Size: 30-1/2×17-1/4×1-1/4</p> <p>Inlet Header: 18-9/16×2-5/16 Outlet Header: 18-9/16×2-5/16 Tran Oil Cooler: 11-1/2(4-Plate)</p> <p>Inlet Conn: 1-5/16 Outlet Conn: 1-9/16 Eng Oil Cooler: 11-1/2(4-Plate)</p>	 <p>Core Size: 30-1/2×17-1/4×1-1/4</p> <p>Inlet Header: 18-9/16×2-5/16 Outlet Header: 18-9/16×2-5/16 Tran Oil Cooler: 11-1/2(4-Plate)</p> <p>Inlet Conn: 1-5/16 Outlet Conn: 1-9/16 Eng Oil Cooler: 11-1/2(4-Plate)</p>
OEM: 52455637 / 52456258	OEM: 52460728
92-93 G Series Vans LT0209	Deville / Concours LT0210
DPI:1477	DPI:1482
 <p>Core Size: 30-1/2×17-1/4×1</p> <p>Inlet Header: 18-9/16×2-5/16 Outlet Header: 18-9/16×2-5/16 Tran Oil Cooler: NONE</p> <p>Inlet Conn: 1-5/16 Outlet Conn: 1-9/16 Eng Oil Cooler: 11-1/2(3-Plate)</p>	 <p>Core Size: 30-1/2×15×1-1/4</p> <p>Inlet Header: 16-7/16×2-5/16 Outlet Header: 16-7/16×2-5/16 Tran Oil Cooler: 11-1/2(4-Plate)</p> <p>Inlet Conn: 1-5/16 Outlet Conn: 1-9/16 Eng Oil Cooler: 11-1/2(3-Plate)</p>
OEM: 52461304 / 52461601	OEM: 52461212 / 52461756 NISSENS: 608841

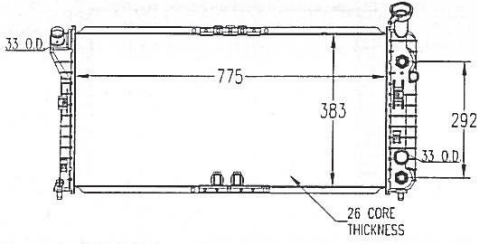
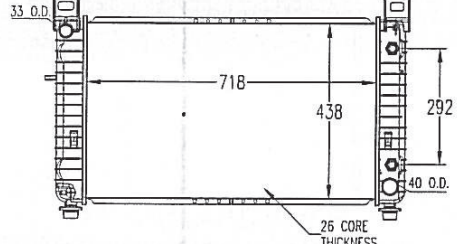
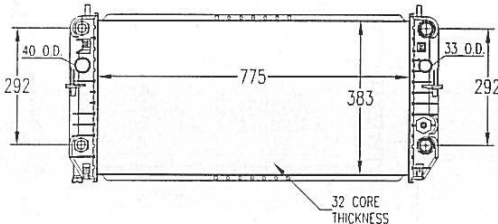
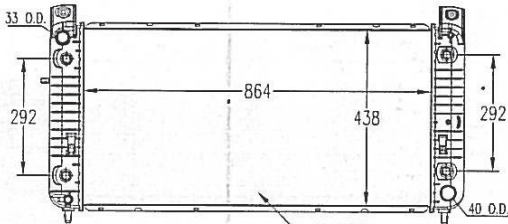
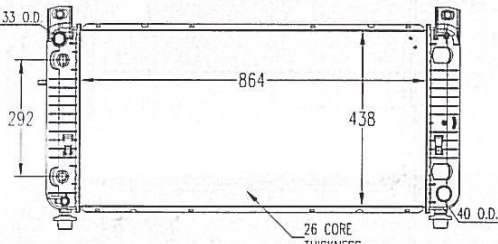
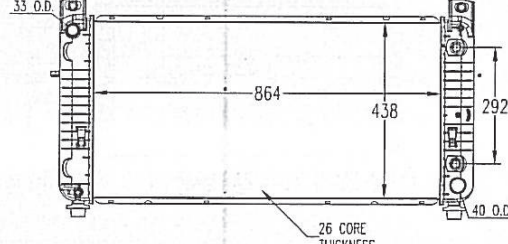
<p>93-97 Camaro / 93-02 Firebird / Trans AM LT0211 DPI:1485</p>  <p>Core Size: 24-13/16×17-1/4×1</p> <p>Inlet Header: 18-9/16×2-5/16 Outlet Header: 18-9/16×2-5/16 Tran Oil Cooler: NONE</p> <p>Inlet Conn: 1-5/16 Outlet Conn: 1-5/16 Eng Oil Cooler: 11-1/2(Concentric)</p> <p>OEM: 52466001 / 52470329</p>	<p>93-97 Firebird /Trans AM/Camaro LT0212 DPI:1486</p>  <p>Core Size: 24-13/16×17-1/4×1-1/4</p> <p>Inlet Header: 18-9/16×2-5/16 Outlet Header: 18-9/16×2-5/16 Tran Oil Cooler: NONE</p> <p>Inlet Conn: 1-5/16 Outlet Conn: 1-5/16 Eng Oil Cooler: 11-1/2(Concentric)</p> <p>OEM: 52471358 / 52472602</p>
<p>93-97 Firebird /Trans AM/Camaro LT0213 DPI:1486</p>  <p>Core Size: 24-13/16×17-1/4×1</p> <p>Inlet Header: 18-9/16×2-5/16 Outlet Header: 18-9/16×2-5/16 Tran Oil Cooler: NONE</p> <p>Inlet Conn: 1-5/16 Outlet Conn: 1-5/16 Eng Oil Cooler: 11-1/2(Concentric)</p> <p>OEM: 52471358 / 52472602</p>	<p>92-96 G Series Van LT0215 DPI:1489</p>  <p>Core Size: 30-1/2×17-1/4×1</p> <p>Inlet Header: 18-9/16×2-5/16 Outlet Header: 18-9/16×2-5/16 Tran Oil Cooler: 11-1/2(4-Plate)</p> <p>Inlet Conn: 1-5/16 Outlet Conn: 1-9/16 Eng Oil Cooler: 11-1/2(4-Plate)</p> <p>OEM: 52489551 / TH9292</p>
<p>92-96 G Series Van LT0216 DPI:1489</p>  <p>Core Size: 30-1/2×17-1/4×1-1/4</p> <p>Inlet Header: 18-9/16×2-5/16 Outlet Header: 18-9/16×2-5/16 Tran Oil Cooler: 11-1/2(4-Plate)</p> <p>Inlet Conn: 1-5/16 Outlet Conn: 1-9/16 Eng Oil Cooler: 11-1/2(4-Plate)</p> <p>OEM: 52489551 / TH9292</p>	<p>Skylark LT0219 DPI:1515</p>  <p>Core Size: 26×15×1</p> <p>Inlet Header: 16-7/16×2-5/16 Outlet Header: 16-7/16×2-5/16 Tran Oil Cooler: NONE</p> <p>Inlet Conn: 1-5/16 Outlet Conn: 1-5/16 Eng Oil Cooler: 11-1/2(3-Plate)</p> <p>OEM: 20703 / 52458222</p>

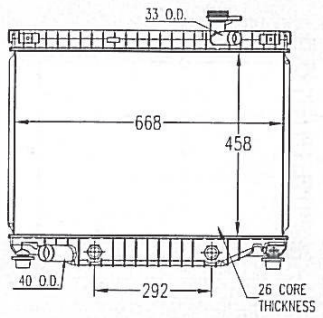
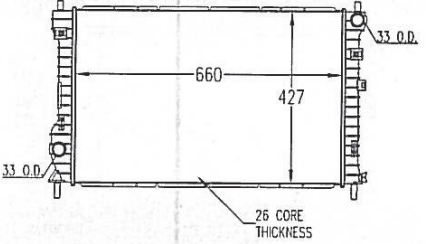
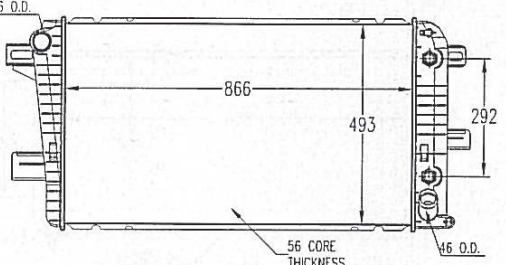
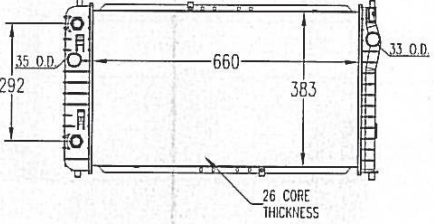
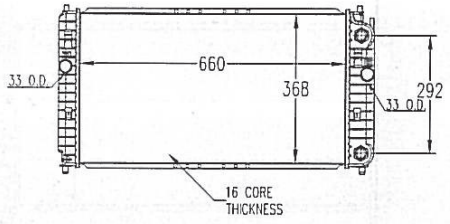
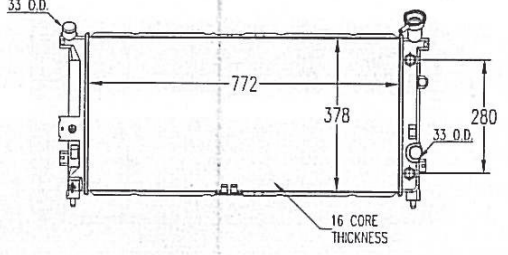
<p>Caprice---(26mm) Caprice--(32mm) LT0220 DPI:1516</p>  <p>Core Size: 30-1/2×17-1/4×1-1/4</p> <p>Inlet Header: 18-9/16×2-5/16 Outlet Header: 18-9/16×2-5/16 Tran Oil Cooler: NONE</p> <p>Inlet Conn: 1-5/16 Outlet Conn: 1-5/16 Eng Oil Cooler: 11-1/2(4-Plate)</p> <p>OEM: 52467761 / 52470704</p>	<p>Caprice--- LT0221 DPI:1517</p>  <p>Core Size: 30-1/2×17-1/4×1-1/4</p> <p>Inlet Header: 18-9/16×2-5/16 Outlet Header: 18-9/16×2-5/16 Tran Oil Cooler: 11-1/2(Concentric)</p> <p>Inlet Conn: 1-5/16 Outlet Conn: 1-5/16 Eng Oil Cooler: 11-1/2(4-Plate)</p> <p>OEM: 52470705 / 52471415</p>
<p>Monte Carlo / Lumina LT0222 DPI:1518</p>  <p>Core Size: 30-1/2×15×1-1/4</p> <p>Inlet Header: 16-7/16×2-5/16 Outlet Header: 16-7/16×2-5/16 Tran Oil Cooler: NONE</p> <p>Inlet Conn: 1-5/16 Outlet Conn: 1-5/16 Eng Oil Cooler: 11-1/2(4-Plate)</p> <p>OEM: 52471560 / 52471562 NISSENS: 69220</p>	<p>Grand Prix LT0223 DPI:1519</p>  <p>Core Size: 30-1/2×15×5/8</p> <p>Inlet Header: 16-7/16×2-5/16 Outlet Header: 16-7/16×2-5/16 Tran Oil Cooler: NONE</p> <p>Inlet Conn: 1-5/16 Outlet Conn: 1-5/16 Eng Oil Cooler: 11-1/2(4-Plate)</p> <p>NISSENS: 69106</p>
<p>94-95 C & K Series Pickups / 95-00 Yahoo LT0224 DPI:1520</p>  <p>Core Size: 34×17-1/4×2-1/4</p> <p>Inlet Header: 18-3/8×3 Outlet Header: 18-3/8×3 Tran Oil Cooler: 11-1/2(6-Plate)</p> <p>Inlet Conn: 1-5/16 Outlet Conn: 1-9/16 Eng Oil Cooler: 11-1/2(7-Plate)</p> <p>OEM: P09494 / R19494 NISSENS: 608911</p>	<p>Hombre--- S & T Series Pickups / Blazers LT0228 DPI:1531</p>  <p>Core Size: 23-5/8×14-7/8×5/8</p> <p>Inlet Header: 16-7/16×2-5/16 Outlet Header: 16-7/16×2-5/16 Tran Oil Cooler: 11-1/2(Concentric)</p> <p>Inlet Conn: 1-5/16 Outlet Conn: 1-5/16 Eng Oil Cooler: NONE</p> <p>OEM: RC9494 / RD9494</p>

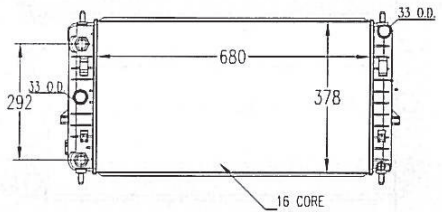
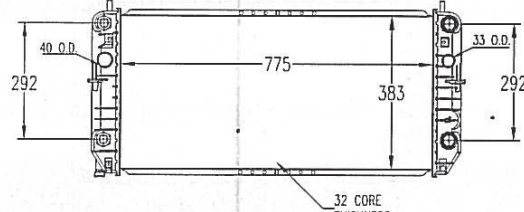
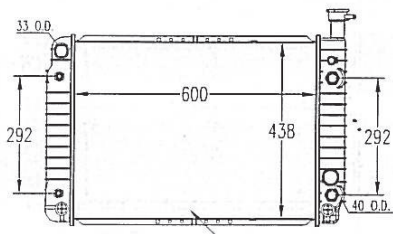
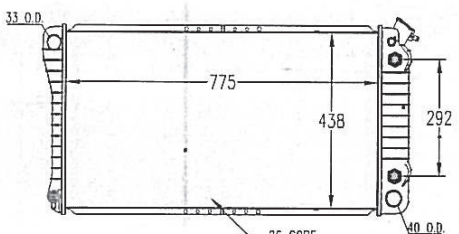
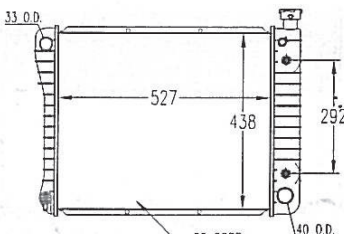
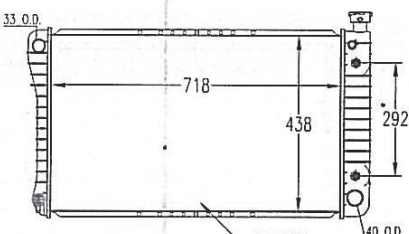
94-95 Beretta / Corsica	
LT0258 DPI:1610  Core Size: 26×15×1 Inlet Header: 16-7/16×2-5/16 Outlet Header: 16-7/16×2-5/16 Tran Oil Cooler: NONE Inlet Conn: 1-5/16 Outlet Conn: 1-5/16 Eng Oil Cooler: 11-1/2(4-Plate)	LT0263 DPI:1683  Core Size: 30-1/2×17-1/4×1 Inlet Header: 18-9/16×2-5/16 Outlet Header: 18-9/16×2-5/16 Tran Oil Cooler: NONE Inlet Conn: 1-5/16 Outlet Conn: 1-9/16 Eng Oil Cooler: 11-1/2(4-Plate)
OEM: 52469306 / 52470119	
Toronado / Trofeo---	
LT0264 DPI:1684  Core Size: 30-1/2×17-1/4×1 Inlet Header: 18-9/16×2-5/16 Outlet Header: 18-9/16×2-5/16 Tran Oil Cooler: NONE Inlet Conn: 1-5/16 Outlet Conn: 1-9/16 Eng Oil Cooler: 11-1/2(4-Plate)	LT0265 DPI:1687  Core Size: 26×15×1 Inlet Header: 16-7/16×2-5/16 Outlet Header: 16-7/16×2-5/16 Tran Oil Cooler: NONE Inlet Conn: 1-3/8 Outlet Conn: 1-3/8 Eng Oil Cooler: NONE
OEM: III.9494 / 20691	
OEM: 52463624 / 52468360 NISSENS: 60917	
95-95 Astro / Safari Van	
LT0266 DPI:1688  Core Size: 28-1/4×17-1/4×1 Inlet Header: 18-9/16×2-5/16 Outlet Header: 18-9/16×2-5/16 Tran Oil Cooler: 11-1/2(3-Plate) Inlet Conn: 1-5/16 Outlet Conn: 1-9/16 Eng Oil Cooler: 11-1/2(3-Plate)	LT0270 DPI:1693  Core Size: 34×17-1/4×1-1/4 Inlet Header: 18-3/8×3 Outlet Header: 18-3/8×3 Tran Oil Cooler: 11-1/2(6-Plate) Inlet Conn: 1-5/16 Outlet Conn: 1-9/16 Eng Oil Cooler: 11-1/2(7-Plate)
OEM: 52470925 / 52472302 NISSENS: 60908	
OEM: 52477782 / 52481440 NISSENS: 608801	

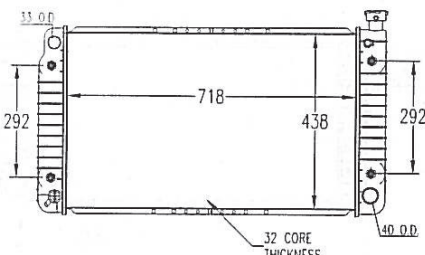
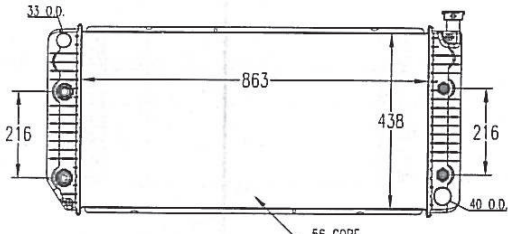
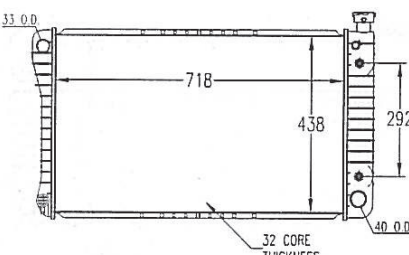
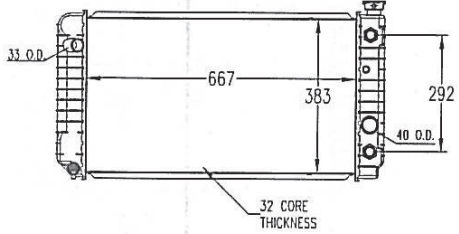
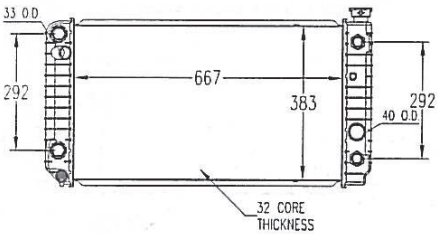
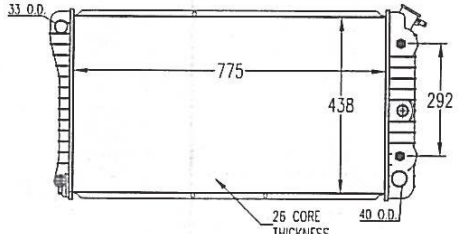
<p>Trans Sport</p>	<p>97-99 Regal / 97-03 Grand Prix</p>
<p>LT0335 DPI:1889</p>  <p>Core Size: 30-1/2×14-7/8×5/8 Inlet Header: 16-7/16×2-5/16 Outlet Header: 16-7/16×2-5/16 Tran Oil Cooler: NONE Inlet Conn: 1-5/16 Outlet Conn: 1-5/16 Eng Oil Cooler: 11-1/2(3-Plate)</p> <p>OEM: 52401486 / 52472846 NISSENS: 691015</p>	<p>LT0336 DPI:1890</p>  <p>Core Size: 30-1/2×15×1 Inlet Header: 16-7/16×2-5/16 Outlet Header: 16-7/16×2-5/16 Tran Oil Cooler: NONE Inlet Conn: 1-5/16 Outlet Conn: 1-5/16 Eng Oil Cooler: 11-1/2(4-Plate)</p> <p>OEM: 52474366 / 52476952</p>
<p>OEM: 52401486 / 52472846 NISSENS: 691015</p>	<p>OEM: 52474366 / 52476952</p>
<p>LT0658 DPI:1796</p>	<p>96-97 Safari Van/Aatro 98-05 Astro/Safari Van LT0359 DPI:2003</p>
 <p>Core Size: 34×19-2/5×2-1/4 Inlet Header: 20-1/2×3 Outlet Header: 20-1/2×3 Tran Oil Cooler: 11-1/2(6-Plate) Inlet Conn: 1-3/8 Outlet Conn: 1-9/16 Eng Oil Cooler: 11-1/2(7-Plate)</p>	 <p>Core Size: 28-1/4×17-1/4×1 Inlet Header: 18-9/16×2-5/16 Outlet Header: 18-9/16×2-5/16 Tran Oil Cooler: 11-1/2(3-Plate) Inlet Conn: 1-5/16 Outlet Conn: 1-9/16 Eng Oil Cooler: 11-1/2(4-Plate)</p>
<p>OEM: 52472906 / 52482175 Notes: 60909</p>	<p>OEM: 52472906 / 52482175 Notes: 60909</p>
<p>95-01 Cavalier / 95-02 Sunfire</p>	<p>Savana</p>
<p>LT0361 DPI:2006</p>  <p>Core Size: 26×14-7/8×5/8 Inlet Header: 16-7/16×2-5/16 Outlet Header: 16-7/16×2-5/16 Tran Oil Cooler: 11-1/2(4-Plate) Inlet Conn: 1-3/8 Outlet Conn: 1-3/8 Eng Oil Cooler: NONE</p>	<p>LT0372 DPI:2043</p>  <p>Core Size: 34×17-1/4×2-1/4 Inlet Header: 18-3/8×3 Outlet Header: 18-3/8×3 Tran Oil Cooler: 11-1/2(6-Plate) Inlet Conn: 1-13/16 Outlet Conn: 1-13/16 Eng Oil Cooler: 11-1/2(7-Plate)</p>
<p>OEM: 52471112 / 52471113</p>	<p>OEM: 52473429 / 52486308</p>

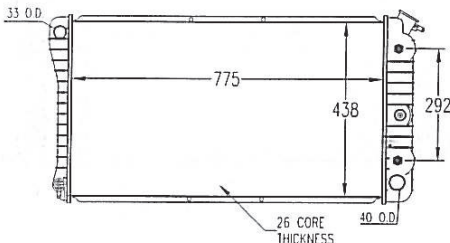
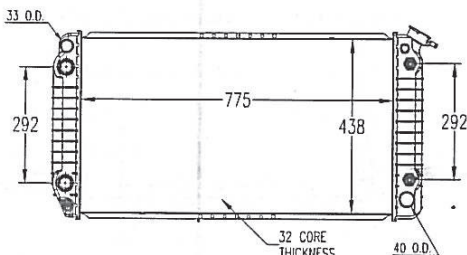
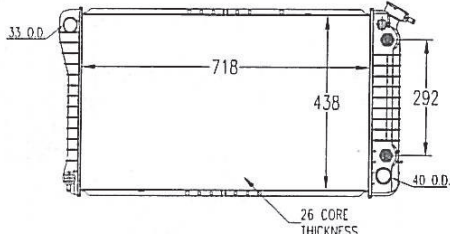
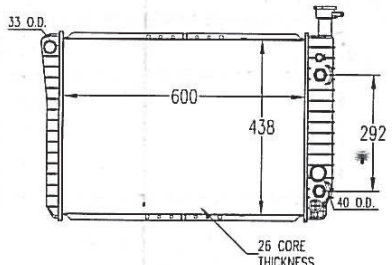
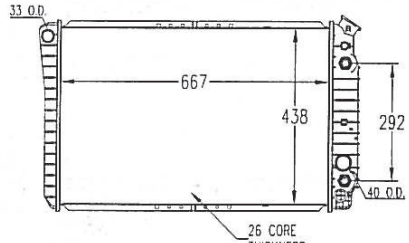
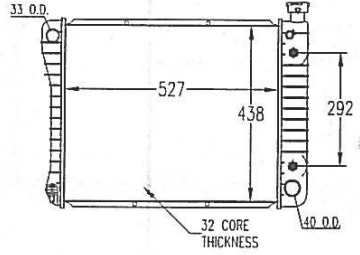
<p>G Series Vans</p> <p>LT0373 DPI: 2044</p>  <p>Core Size: 30-1/2×17-1/4×1-1/4</p> <p>Inlet Header: 18-9/16×2-5/16 Inlet Conn: 1-5/16 Outlet Header: 18-9/16×2-5/16 Outlet Conn: 1-9/16 Tran Oil Cooler: NONE Eng Oil Cooler: 11-1/2(4-Plate)</p> <p>OEM: 52475987 / 52475988</p>	<p>Lumina</p> <p>LT0432 DPI: 2251</p>  <p>Core Size: 30-1/2×15×1</p> <p>Inlet Header: 16-7/16×2-5/16 Inlet Conn: 1-5/16 Outlet Header: 16-7/16×2-5/16 Outlet Conn: 1-5/16 Tran Oil Cooler: NONE Eng Oil Cooler: 11-1/2(4-Plate)</p> <p>OEM: 52485628 / 52470522</p>
<p>cutlass</p> <p>LT0440 DPI: 2264</p>  <p>Core Size: 26×14-1/2×5/8</p> <p>Inlet Header: 15-3/8×1-7/8 Inlet Conn: 1-5/16 Outlet Header: 15-3/8×1-7/8 Outlet Conn: 1-5/16 Tran Oil Cooler: NONE Eng Oil Cooler: 11-1/2(4-Plate)</p> <p>OEM: 52477425 / 52495597</p>	<p>Yukon XL</p> <p>LT0489 DPI: 2334</p>  <p>Core Size: 28-1/4×17-1/4×1</p> <p>Inlet Header: 18-9/16×2-5/16 Inlet Conn: 1-5/16 Outlet Header: 18-9/16×2-5/16 Outlet Conn: 1-9/16 Tran Oil Cooler: NONE Eng Oil Cooler: 11-1/2(4-Plate)</p> <p>OEM: 15193110 / 52484047</p>
<p>Monte Carlo</p> <p>LT0497 DPI: 2343</p>  <p>Core Size: 30-1/2×15×5/8</p> <p>Inlet Header: 18-9/16×2-5/16 Inlet Conn: 1-5/16 Outlet Header: 18-9/16×2-5/16 Outlet Conn: 1-5/16 Tran Oil Cooler: NONE Eng Oil Cooler: 11-1/2(3-Plate)</p> <p>OEM: 52487052 / 88957431</p>	<p>00-05 Bonneville / Lesabre</p> <p>LT0501 DPI: 2348</p>  <p>Core Size: 30-1/2×15×5/8</p> <p>Inlet Header: 16-7/16×2-5/16 Inlet Conn: 1-5/16 Outlet Header: 16-7/16×2-5/16 Outlet Conn: 1-9/16 Tran Oil Cooler: NONE Eng Oil Cooler: 11-1/2(3-Plate)</p> <p>OEM: 25731390 / 25731392</p>

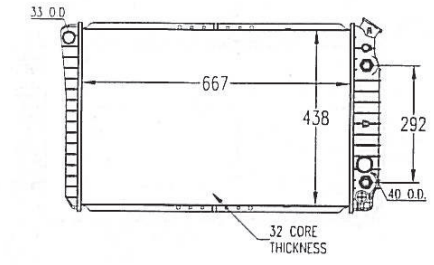
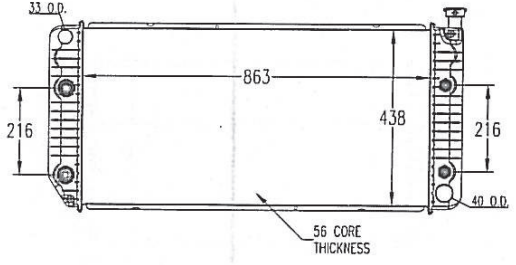
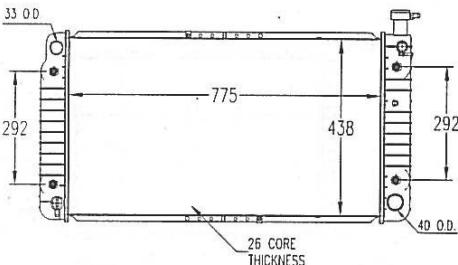
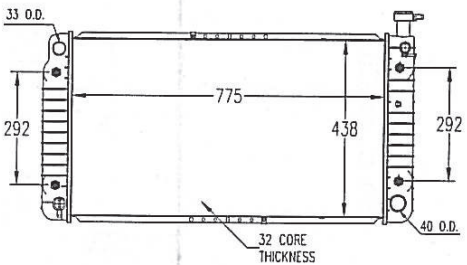
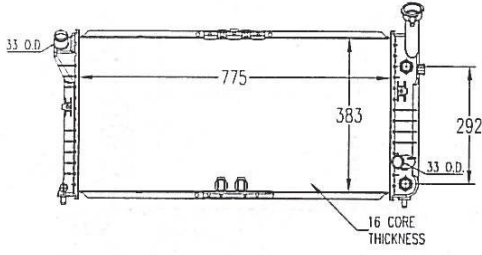
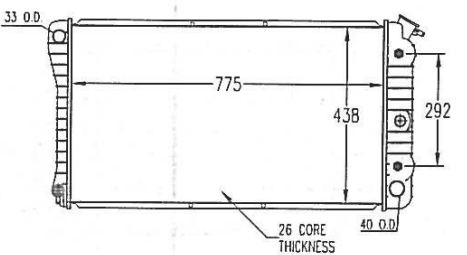
<p>00-02 Regal / 00-03 Impala LT0504 DPI:2351</p>  <p>Core Size: 30-1/2×15×1</p> <p>Inlet Header: 16-7/16×2-5/16 Inlet Conn: 1-5/16 Outlet Header: 16-7/16×2-5/16 Outlet Conn: 1-5/16 Tran Oil Cooler: NONE Eng Oil Cooler: 11-1/2(3-Plate)</p> <p>OEM: 52401485 / 52478255</p>	<p>99-04 Silverado / Sierra Pickup LT0514 DPI:2368</p>  <p>Core Size: 28-1/4×17-1/4×1</p> <p>Inlet Header: 18-9/16×2-5/16 Inlet Conn: 1-5/16 Outlet Header: 18-9/16×2-5/16 Outlet Conn: 1-9/16 Tran Oil Cooler: NONE Eng Oil Cooler: 11-1/2(4-Plate)</p> <p>OEM: 52486600 / 15193112</p>
<p>00-00 Deville LT0515 DPI:2369</p>  <p>Core Size: 30-1/2×15×1-1/4</p> <p>Inlet Header: 16-7/16×2-5/16 Inlet Conn: 1-5/16 Outlet Header: 16-7/16×2-5/16 Outlet Conn: 1-9/16 Tran Oil Cooler: 11-1/2(3-Plate) Eng Oil Cooler: 11-1/2(3-Plate)</p> <p>OEM: 52486951 / 52487015</p>	<p>Surburban LT0516 DPI:2370</p>  <p>Core Size: 34×17-1/4×1</p> <p>Inlet Header: 18-3/8×3 Inlet Conn: 1-5/16 Outlet Header: 18-3/8×3 Outlet Conn: 1-9/16 Tran Oil Cooler: 11-1/2(6-Plate) Eng Oil Cooler: 11-1/2(7-Plate)</p> <p>OEM: 52486594 / 52487603</p>
<p>Silverado / Sierra Pickup LT0517 DPI:2371</p>  <p>Core Size: 34×17-1/4×1</p> <p>Inlet Header: 18-3/8×3 Inlet Conn: 1-5/16 Outlet Header: 18-3/8×3 Outlet Conn: 1-9/16 Tran Oil Cooler: 11-1/2(6-Plate) Eng Oil Cooler: NONE</p> <p>OEM: 15177274 / 15193109</p>	<p>Tahoe LT0545 DPI:2423</p>  <p>Core Size: 34×17-1/4×1</p> <p>Inlet Header: 18-3/8×3 Inlet Conn: 1-5/16 Outlet Header: 18-3/8×3 Outlet Conn: 1-9/16 Tran Oil Cooler: NONE Eng Oil Cooler: 11-1/2(7-Plate)</p> <p>OEM: 15193108 / 52486595</p>

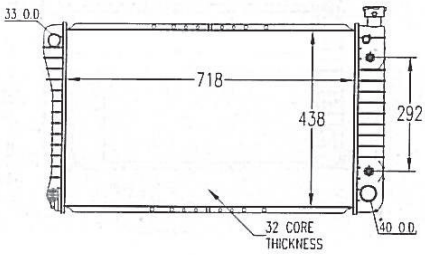
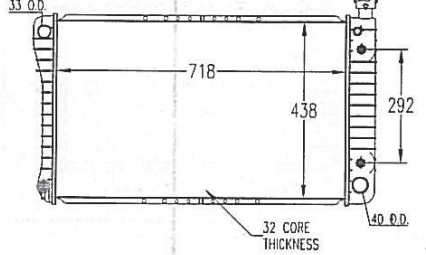
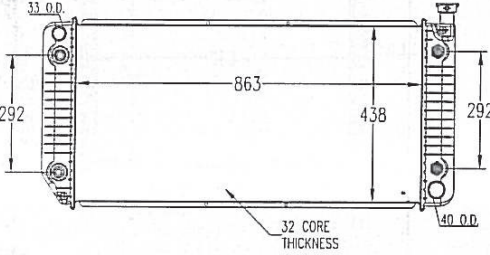
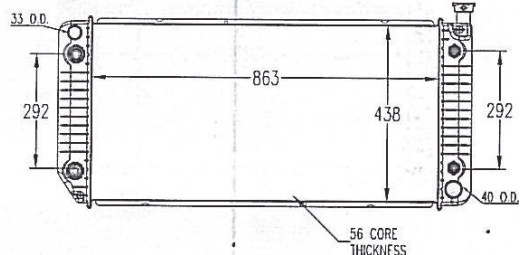
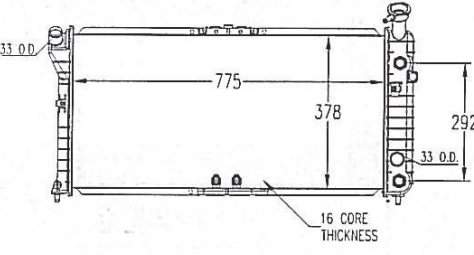
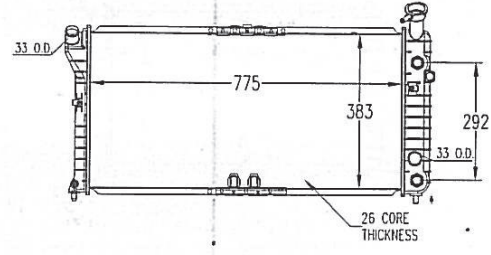
<p>02- Trailblazer LT0567 DPI:2458</p>  <p>Core Size: 18×26-5/16×1</p> <p>Inlet Header: 27-7/16×2-1/4 Outlet Header: 27-7/16×2-1/4 Tran Oil Cooler: NONE</p> <p>Inlet Conn: 1-5/16 Outlet Conn: 1-9/16 Eng Oil Cooler: 11-1/2(3-Plate)</p> <p>OEM: 52485546 / 8151790510 NISSENS: 69211</p>	<p>02- Trailblazer LT0571 DPI:2462</p>  <p>Core Size: 26×16-13/16×1</p> <p>Inlet Header: 17-1/6×1-7/8 Outlet Header: 17-1/6×1-7/8 Tran Oil Cooler: NONE</p> <p>Inlet Conn: 1-5/16 Outlet Conn: 1-5/16 Eng Oil Cooler: NONE</p> <p>OEM: 22701930</p>
<p>LT0586 DPI:2510</p>  <p>Core Size: 34×19-7/16×2-1/4</p> <p>Inlet Header: 20-1/2×3 Outlet Header: 20-1/2×3 Tran Oil Cooler: NONE</p> <p>Inlet Conn: 1-13/16 Outlet Conn: 1-13/16 Eng Oil Cooler: 11-1/2(7-Plate)</p> <p>OEM: 214100Z800/ 214109E000</p>	<p>02-05 Cavalier / Sunfire LT0589 DPI:2518</p>  <p>Core Size: 26×15×1</p> <p>Inlet Header: 16-3/7×2-1/3 Outlet Header: 16-3/7×2-1/3 Tran Oil Cooler: NONE</p> <p>Inlet Conn: 1-5/16 Outlet Conn: 1-3/8 Eng Oil Cooler: 11-1/2(4-Plate)</p> <p>OEM: 19010PAAA02</p>
<p>LT0591 DPI:2520</p>  <p>Core Size: 26×14-1/2×5/8</p> <p>Inlet Header: 15-3/8×1-7/8 Outlet Header: 15-3/8×1-7/8 Tran Oil Cooler: NONE</p> <p>Inlet Conn: 1-5/16 Outlet Conn: 1-5/16 Eng Oil Cooler: 11-1/2(3-Plate)</p> <p>OEM: 22666459 / 52381214</p>	<p>LT0593 DPI:2562</p>  <p>Core Size: 30-3/8×14-7/8×5/8</p> <p>Inlet Header: 15-3/8×2-7/16 Outlet Header: 15-3/8×2-7/16 Tran Oil Cooler: NONE</p> <p>Inlet Conn: 1-5/16 Outlet Conn: 1-5/16 Eng Oil Cooler: 11(6-Plate)</p> <p>OEM: 1031317 / 1031318</p>

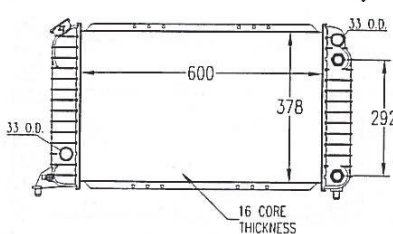
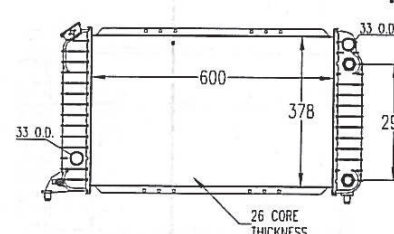
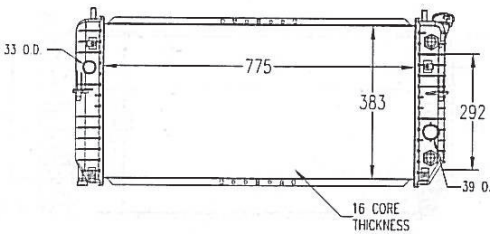
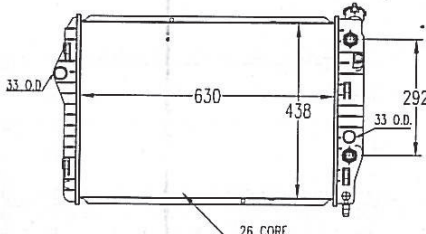
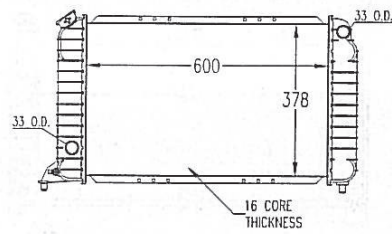
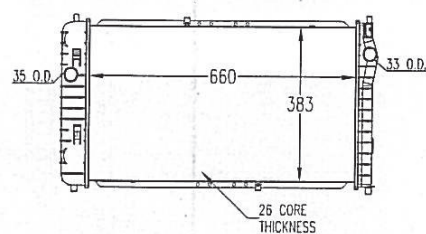
<p>LT0605 DPI:2608</p>  <p>Core Size: 26-3/4×14-7/8×5/8</p> <p>Inlet Header: 15×1-7/8 Outlet Header: 15×1-7/8 Tran Oil Cooler: NONE</p> <p>Inlet Conn: 1-5/16 Outlet Conn: 1-5/16 Eng Oil Cooler: 11-1/2(3-Plate)</p> <p>OEM: 52381430 / 52482167</p>	<p>01-05 Deville / o4-05 Bonneville LT0608 DPI:2620</p>  <p>Core Size: 30-1/2×15×1-1/4</p> <p>Inlet Header: 16-7/16×2-5/16 Outlet Header: 16-7/16×2-5/16 Tran Oil Cooler: 11-1/2(3-Plate)</p> <p>Inlet Conn: 1-5/16 Outlet Conn: 1-9/16 Eng Oil Cooler: 11-1/2(3-Plate)</p> <p>OEM: 52486949 / C7DE8005D</p>
<p>85-94 Astro/Safari Van LT0033 DPI:312</p>  <p>Core Size: 23-5/8×17-1/4×1</p> <p>Inlet Header: 18-9/16×2-5/16 Outlet Header: 18-9/16×2-5/16 Tran Oil Cooler: 11-1/2(Concentric)</p> <p>Inlet Conn: 1-5/16 Outlet Conn: 1-9/16 Eng Oil Cooler: 11-1/2(3-Plate)</p> <p>OEM: XW6989 / U09390</p>	<p>Bonneville/Lesabre LT0036 DPI:396</p>  <p>Core Size: 30-1/2×17-1/4×1</p> <p>Inlet Header: 18-9/16×2-5/16 Outlet Header: 18-9/16×2-5/16 Tran Oil Cooler: NONE</p> <p>Inlet Conn: 1-5/16 Outlet Conn: 1-9/16 Eng Oil Cooler: 11-1/2(4-Plate)</p> <p>OEM: 20396 / 52450284</p>
<p>C & K Series Pickups suburban LT0037 DPI:434</p>  <p>Core Size: 20-3/4×17-1/4×1</p> <p>Inlet Header: 18-9/16×2-5/16 Outlet Header: 18-9/16×2-5/16 Tran Oil Cooler: NONE</p> <p>Inlet Conn: 1-5/16 Outlet Conn: 1-9/16 Eng Oil Cooler: 11-1/2(4-Plate)</p> <p>OEM: 52450651 / 52450652</p> <p>NISSENS: 60938</p>	<p>88-95 C & K Series Pickups LT0045 DPI:618</p>  <p>Core Size: 28-1/4×17-1/4×1-1/4</p> <p>Inlet Header: 18-9/16×2-5/16 Outlet Header: 18-9/16×2-5/16 Tran Oil Cooler: NONE</p> <p>Inlet Conn: 1-5/16 Outlet Conn: 1-9/16 Eng Oil Cooler: 11-1/2(4-Plate)</p> <p>OEM: 52457843 / 52458331</p> <p>NISSENS: 609691</p>

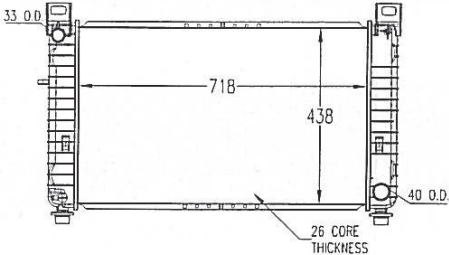
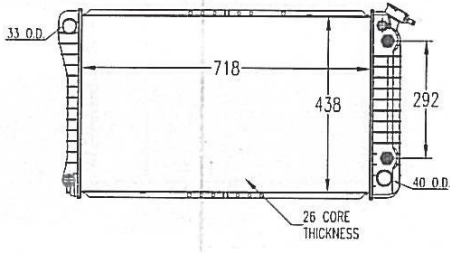
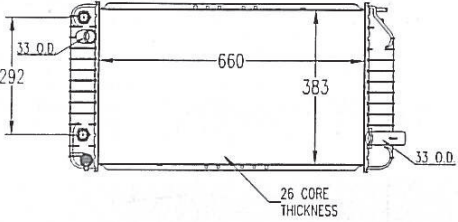
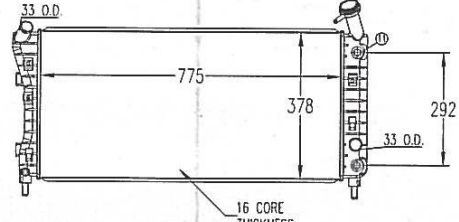
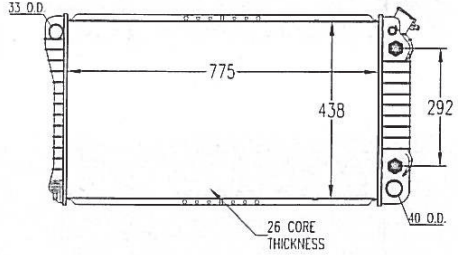
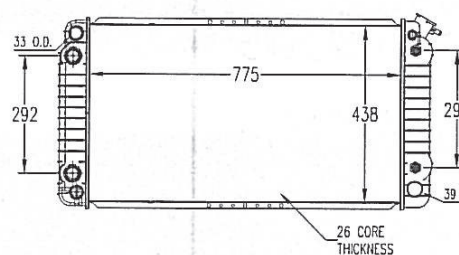
92-93 Suburban/88-95 C & K series Pickups		C & K Series Pickups— Suburban C & K Series Pickups/Blazer/Jimmy	
LT0047 DPI:622  <p>Core Size: 28-1/4×17-1/4×1-1/4</p> <p>Inlet Header: 18-9/16×2-5/16 Outlet Header: 18-9/16×2-5/16 Tran Oil Cooler: 11-1/2(3-Plate)</p> <p>Inlet Conn: 1-5/16 Outlet Conn: 1-9/16 Eng Oil Cooler: 11-1/2(4-Plate)</p> <p>OEM: 52458333 / 52459680</p>	LT0048 DPI:624  <p>Core Size: 34×17-1/4×2-1/4</p> <p>Inlet Header: 18-3/8×3 Outlet Header: 18-3/8×3 Tran Oil Cooler: 8-1/2(4-Plate)</p> <p>Inlet Conn: 1-5/16 Outlet Conn: 1-9/16 Eng Oil Cooler: 8-1/2(5-Plate)</p> <p>OEM: 52458929 / 52458930</p>		
88-94 S & T Series Pickups/Blazers		88-94 S & T Series Pickups/Blazers	
LT0049 DPI:631  <p>Core Size: 28-1/4×17-1/4×1-1/4</p> <p>Inlet Header: 18-9/16×2-5/16 Outlet Header: 18-9/16×2-5/16 Tran Oil Cooler: NONE</p> <p>Inlet Conn: 1-5/16 Outlet Conn: 1-9/16 Eng Oil Cooler: 11-1/2(Concentric)</p> <p>NISSENS: 609691</p>	LT0053 DPI:681  <p>Core Size: 26-1/4×15×1-1/4</p> <p>Inlet Header: 16-7/16×2-5/16 Outlet Header: 16-7/16×2-5/16 Tran Oil Cooler: NONE</p> <p>Inlet Conn: 1-5/16 Outlet Conn: 1-9/16 Eng Oil Cooler: 11-1/2(4-Plate)</p> <p>OEM: 20386 / 20387</p>		
88-94 S & T Series Pickups/Blazers		Delta 88 / Eighty Eight / Royale / Riviera —	
LT0054 DPI:705  <p>Core Size: 26-1/4×15×1-1/4</p> <p>Inlet Header: 16-7/16×2-5/16 Outlet Header: 16-7/16×2-5/16 Tran Oil Cooler: 11-1/2(3-Plate)</p> <p>Inlet Conn: 1-5/16 Outlet Conn: 1-9/16 Eng Oil Cooler: 11-1/2(4-Plate)</p> <p>OEM: 20388 / 20447</p>	LT0058 DPI:766  <p>Core Size: 30-1/2×17-1/4×1</p> <p>Inlet Header: 18-9/16×2-5/16 Outlet Header: 18-9/16×2-5/16 Tran Oil Cooler: NONE</p> <p>Inlet Conn: 1-5/16 Outlet Conn: 1-9/16 Eng Oil Cooler: 11-1/2(4-Plate)</p> <p>OEM: 20420 / 20493</p>		

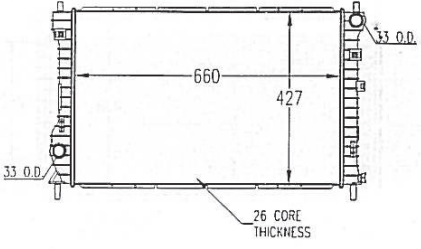
Delta 88 / Eighty Eight / Royale / Riviera --- Bonneville / LSS Toronado / Trofeo ---		Fleerwood / Brougham / Park Avenue	
LT0059	DPI:767	LT0060	DPI:856
 <p>Core Size: 30-1/2×17-1/4×1</p> <p>Inlet Header: 18-9/16×2-5/16 Inlet Conn: 1-5/16 Outlet Header: 18-9/16×2-5/16 Outlet Conn: 1-9/16 Tran Oil Cooler: NONE Eng Oil Cooler: 11-1/2(4-Plate)</p>		 <p>Core Size: 30-1/2×17-1/4×1-1/4</p> <p>Inlet Header: 18-9/16×2-5/16 Inlet Conn: 1-5/16 Outlet Header: 18-9/16×2-5/16 Outlet Conn: 1-9/16 Tran Oil Cooler: 11-1/2(3-Plate) Eng Oil Cooler: 11-1/2(4-Plate)</p>	
OEM: 20665 / 3091025		OEM: 3091025 / 3091026	
Toronado / Trofeo---		85-94 Safari Van / Astro	
LT0071	DPI:921	LT0072	DPI:924
 <p>Core Size: 28-1/4×17-1/4×1</p> <p>Inlet Header: 18-9/16×2-5/16 Inlet Conn: 1-5/16 Outlet Header: 18-9/16×2-5/16 Outlet Conn: 1-9/16 Tran Oil Cooler: NONE Eng Oil Cooler: 11-1/2(Concentric)</p>		 <p>Core Size: 23-5/8×17-1/4×1</p> <p>Inlet Header: 18-9/16×2-5/16 Inlet Conn: 1-5/16 Outlet Header: 18-9/16×2-5/16 Outlet Conn: 1-9/16 Tran Oil Cooler: NONE Eng Oil Cooler: 11-1/2(Concentric)</p>	
OEM: 3091022 / 3091023		OEM: 3092115 / 3092934	
Friebird / Trans AM---		C & K Series Pickups suburban	
LT0081	DPI:951	LT0038	DPI:434
 <p>Core Size: 26-1/4×17-1/4×1</p> <p>Inlet Header: 18-9/16×2-5/16 Inlet Conn: 1-5/16 Outlet Header: 18-9/16×2-5/16 Outlet Conn: 1-9/16 Tran Oil Cooler: NONE Eng Oil Cooler: 11-1/2(Concentric)</p>		 <p>Core Size: 20-3/4×17-1/4×1-1/4</p> <p>Inlet Header: 18-9/16×2-5/16 Inlet Conn: 1-5/16 Outlet Header: 18-9/16×2-5/16 Outlet Conn: 1-9/16 Tran Oil Cooler: NONE Eng Oil Cooler: 11-1/2(4-Plate)</p>	
OEM: 3094279 / 3094280		OEM: 52450651 / 52450652	

<p>Friebird / Trans AM---</p>	<p>Suburban/C&K Series Pickups/Blazer/Jimmy</p>
<p>LT0082 DPI:951</p>  <p style="text-align: center;">Core Size: 26-1/4×17-1/4×1-1/4</p> <p>Inlet Header: 18-9/16×2-5/16 Inlet Conn: 1-5/16 Outlet Header: 18-9/16×2-5/16 Outlet Conn: 1-9/16 Tran Oil Cooler: NONE Eng Oil Cooler: 11-1/2(Concentric)</p> <p>OEM: 52453812 / 52453813</p>	<p>LT0164 DPI:1360</p>  <p style="text-align: center;">Core Size: 34×17-1/4×2-1/4</p> <p>Inlet Header: 18-3/8×3 Inlet Conn: 1-5/16 Outlet Header: 18-3/8×3 Outlet Conn: 1-9/16 Tran Oil Cooler: 8-1/2(4-Plate) Eng Oil Cooler: 8-1/2(5-Plate)</p> <p>OEM: 52458845 / 52458924</p>
<p>92-96 G Series Van</p>	<p>92-96 G Series Van</p>
<p>LT0278 DPI:1706</p>  <p style="text-align: center;">Core Size: 30-1/2×17-1/4×1</p> <p>Inlet Header: 18-9/16×2-5/16 Inlet Conn: 1-5/16 Outlet Header: 18-9/16×2-5/16 Outlet Conn: 1-9/16 Tran Oil Cooler: 11-1/2(4-Plate) Eng Oil Cooler: 11-1/2(4-Plate)</p> <p>OEM: 52461600 / 52461602</p>	<p>LT0279 DPI:1706</p>  <p style="text-align: center;">Core Size: 30-1/2×17-1/4×1-1/4</p> <p>Inlet Header: 18-9/16×2-5/16 Inlet Conn: 1-5/16 Outlet Header: 18-9/16×2-5/16 Outlet Conn: 1-9/16 Tran Oil Cooler: 11-1/2(4-Plate) Eng Oil Cooler: 11-1/2(4-Plate)</p> <p>OEM: 52461600 / 52461602</p>
<p>Grand Prix---</p>	<p></p>
<p>LT0431 DPI:2250</p>  <p style="text-align: center;">Core Size: 30-1/2×15×5/8</p> <p>Inlet Header: 16-7/16×2-5/16 Inlet Conn: 1-5/16 Outlet Header: 16-7/16×2-5/16 Outlet Conn: 1-5/16 Tran Oil Cooler: NONE Eng Oil Cooler: 11-1/2(4-Plate)</p> <p>OEM: 52477027 / 52498591</p>	<p>LT0659 DPI:2105</p>  <p style="text-align: center;">Core Size: 30-1/2×17-1/4×1</p> <p>Inlet Header: 18-9/16×2-5/16 Inlet Conn: 1-5/16 Outlet Header: 18-9/16×2-5/16 Outlet Conn: 1-9/16 Tran Oil Cooler: NONE Eng Oil Cooler: 11-1/2(4-Plate)</p>

<p>LT0234 DPI:1541</p>  <p>Core Size: 28-1/4x17-1/4x1-1/4</p> <p>Inlet Header: 18-9/16x2-5/16 Outlet Header: 18-9/16x2-5/16 Tran Oil Cooler: NONE</p> <p>Inlet Conn: 1-5/16 Outlet Conn: 1-9/16 Eng Oil Cooler: 11-1/2(4-Plate)</p>	<p>95-97 C & K Series Pickups LT0269 DPI:1692</p>  <p>Core Size: 28-1/4x17-1/4x1-1/4</p> <p>Inlet Header: 18-9/16x2-5/16 Outlet Header: 18-9/16x2-5/16 Tran Oil Cooler: NONE</p> <p>Inlet Conn: 1-5/16 Outlet Conn: 1-9/16 Eng Oil Cooler: 11-1/2(4-Plate)</p>
<p>NISSENS: 609691</p>	
<p>Yukon --- LT0226 DPI:1522</p>  <p>Core Size: 34x17-1/4x1-1/4</p> <p>Inlet Header: 18-3/8x3 Outlet Header: 18-3/8x3 Tran Oil Cooler: 11-1/2(6-Plate)</p> <p>Inlet Conn: 1-5/16 Outlet Conn: 1-9/16 Eng Oil Cooler: 11-1/2(7-Plate)</p>	<p>94-95 Suburban LT0271 DPI:1694</p>  <p>Core Size: 34x17-1/4x2-1/4</p> <p>Inlet Header: 18-3/8x3 Outlet Header: 18-3/8x3 Tran Oil Cooler: 11-1/2(6-Plate)</p> <p>Inlet Conn: 1-5/16 Outlet Conn: 1-9/16 Eng Oil Cooler: 11-1/2(7-Plate)</p>
<p>OEM: 20734 / 20744 NISSENS: 608801</p>	
<p>LT0338 DPI:1893</p>  <p>Core Size: 30-1/2x14-7/8x5/8</p> <p>Inlet Header: 16-7/16x2-5/16 Outlet Header: 16-7/16x2-5/16 Tran Oil Cooler: NONE</p> <p>Inlet Conn: 1-5/16 Outlet Conn: 1-5/16 Eng Oil Cooler: 11-1/2(3-Plate)</p>	<p>LT0334 DPI:1888</p>  <p>Core Size: 30-1/2x15x1</p> <p>Inlet Header: 16-7/16x2-5/16 Outlet Header: 16-7/16x2-5/16 Tran Oil Cooler: NONE</p> <p>Inlet Conn: 1-5/16 Outlet Conn: 1-5/16 Eng Oil Cooler: 11-1/2(4-Plate)</p>
<p>OEM: 52472665</p>	

<p>S & T Series Pickups / Blazers ---</p> <p>LT0436 DPI:2261</p>  <p style="text-align: center;">Core Size: 23-5/8×14-7/8×5/8</p> <p>Inlet Header: 16-7/16×2-5/16 Inlet Conn: 1-5/16 Outlet Header: 16-7/16×2-5/16 Outlet Conn: 1-5/16 Tran Oil Cooler: 11-1/2(Concentric) Eng Oil Cooler: NONE</p> <p>OEM: 52477685 / 8524729630</p>	<p>S & T Series Pickups / Blazers ---</p> <p>LT0437 DPI:2261</p>  <p style="text-align: center;">Core Size: 23-5/8×14-7/8×1</p> <p>Inlet Header: 16-7/16×2-5/16 Inlet Conn: 1-5/16 Outlet Header: 16-7/16×2-5/16 Outlet Conn: 1-5/16 Tran Oil Cooler: 11-1/2(Concentric) Eng Oil Cooler: NONE</p> <p>OEM: 52477685 / 8524729630</p>
<p>00-05 Bonneville / Lesabre</p> <p>LT0500 DPI:2347</p>  <p style="text-align: center;">Core Size: 30-1/2×15×5/8</p> <p>Inlet Header: 16-7/16×2-5/16 Inlet Conn: 1-5/16 Outlet Header: 16-7/16×2-5/16 Outlet Conn: 1-1/2 Tran Oil Cooler: NONE Eng Oil Cooler: 11-1/2(3-Plate)</p> <p>OEM: 52487030</p>	<p>LT0509 DPI:2361</p>  <p style="text-align: center;">Core Size: 24-13/16×17-1/4×1</p> <p>Inlet Header: 18-9/16×2-5/16 Inlet Conn: 1-5/16 Outlet Header: 18-9/16×2-5/16 Outlet Conn: 1-5/16 Tran Oil Cooler: NONE Eng Oil Cooler: 11-1/2(Concentric)</p> <p>OEM: 52473159 / 52486939</p>
<p>S&T Silverado/Sierra Pickup</p> <p>LT0576 DPI:2473</p>  <p style="text-align: center;">Core Size: 23-5/8×14-7/8×5/8</p> <p>Inlet Header: 16-7/16×2-5/16 Inlet Conn: 1-5/16 Outlet Header: 16-7/16×2-5/16 Outlet Conn: 1-5/16 Tran Oil Cooler: NONE Eng Oil Cooler: NONE</p> <p>OEM: 52462544 / 52462544</p>	<p>02-05 Cavalier/Sunfire</p> <p>LT0590 DPI:2519</p>  <p style="text-align: center;">Core Size: 26×15×1</p> <p>Inlet Header: 16-7/16×2-5/16 Inlet Conn: 1-5/16 Outlet Header: 16-7/16×2-5/16 Outlet Conn: 1-3/8 Tran Oil Cooler: NONE Eng Oil Cooler: NONE</p> <p>OEM: 22661218 / 52381212</p>

<p>99-04 Silverado/Sierra Pickup LT0513 DPI:2367</p>  <p>Core Size: 28-1/4×17-1/4×1</p> <p>Inlet Header: 18-9/16×2-5/16 Outlet Header: 18-9/16×2-5/16 Tran Oil Cooler: NONE</p> <p>Inlet Conn: 1-5/16 Outlet Conn: 1-9/16 Eng Oil Cooler: 11-1/2(4-Plate)</p> <p>OEM: 52486601 / 15193113</p>	<p>Toronado / Trofeo--- LT0130 DPI:1204</p>  <p>Core Size: 28-1/4×17-1/4×1</p> <p>Inlet Header: 18-9/16×2-5/16 Outlet Header: 18-9/16×2-5/16 Tran Oil Cooler: NONE</p> <p>Inlet Conn: 1-5/16 Outlet Conn: 1-9/16 Eng Oil Cooler: 11-1/2(Concentric)</p> <p>OEM: 20533 / 52452856</p>
<p>LT0657 DPI:1341</p>  <p>Core Size: 26×15×1</p> <p>Inlet Header: 16-7/16×2-5/16 Outlet Header: 16-7/16×2-5/16 Tran Oil Cooler: 11-1/2(4-Plate)</p> <p>Inlet Conn: 1-5/16 Outlet Conn: 1-5/16 Eng Oil Cooler: NONE</p> <p>OEM: 52455926 / 52455927</p>	<p>Allure--- LT0622 DPI:2710</p>  <p>Core Size: 30-1/2×14-7/8×5/8</p> <p>Inlet Header: 16-15/16×1-7/8 Outlet Header: 16-15/16×1-7/8 Tran Oil Cooler: NONE</p> <p>Inlet Conn: 1-5/16 Outlet Conn: 1-5/16 Eng Oil Cooler: 11-1/2(3-Plate)</p> <p>OEM: 10324030 / 15140506</p>
<p>LT0656 DPI:1205</p>  <p>Core Size: 30-1/2×17-1/4×1</p> <p>Inlet Header: 18-9/16×2-5/16 Outlet Header: 18-9/16×2-5/16 Tran Oil Cooler: NONE</p> <p>Inlet Conn: 1-5/16 Outlet Conn: 1-9/16 Eng Oil Cooler: 11-1/2(4-Plate)</p> <p>OEM: 20692 / 52462679</p>	<p>LT0280 DPI:1536</p>  <p>Core Size: 30-1/2×17-1/4×1</p> <p>Inlet Header: 18-9/16×2-5/16 Outlet Header: 18-9/16×2-5/16 Tran Oil Cooler: 11-1/2(3-Plate)</p> <p>Inlet Conn: 1-5/16 Outlet Conn: 1-1/2 Eng Oil Cooler: 11-1/2(4-Plate)</p> <p>OEM: 20692 / 52462679</p>

<p>LT0660 DPI: 2463</p>  <p>Core Size: 26×16-13/16×1</p> <p>Inlet Header: 17-1/6×1-7/8 Inlet Conn: 1-5/16 Outlet Header: 17-1/6×1-7/8 Outlet Conn: 1-5/16 Tran Oil Cooler: NONE Eng Oil Cooler: NONE</p>	
<p>OEM: 22701929</p>	