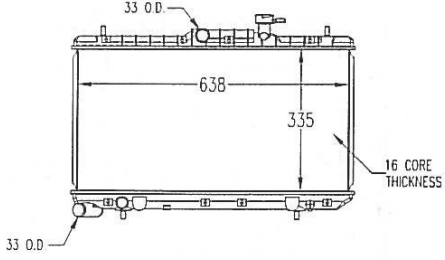
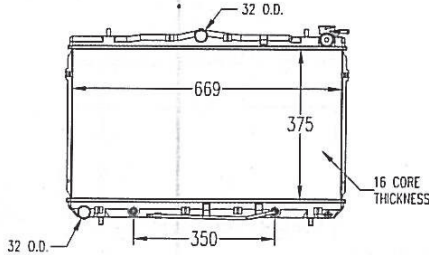
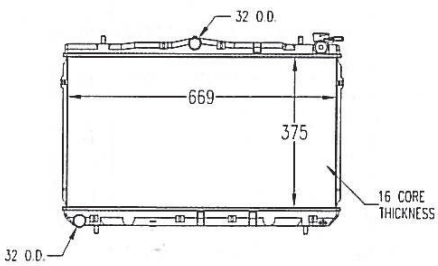
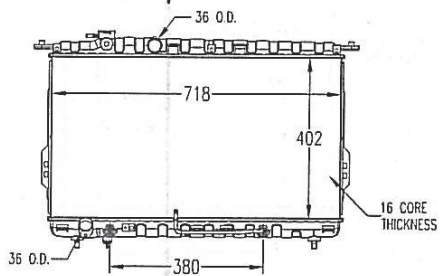
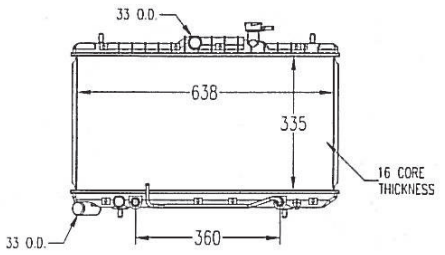
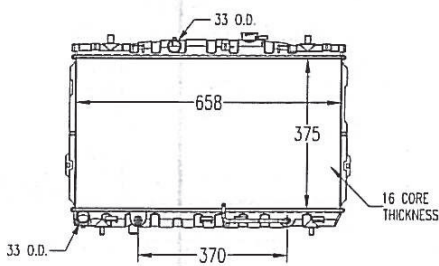
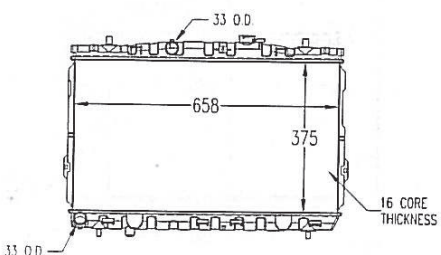
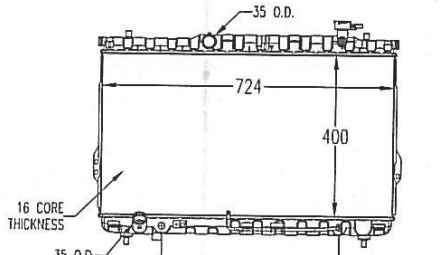
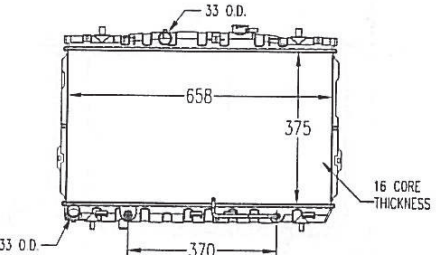
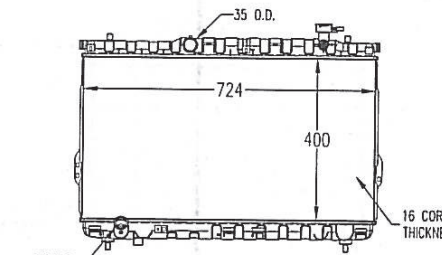
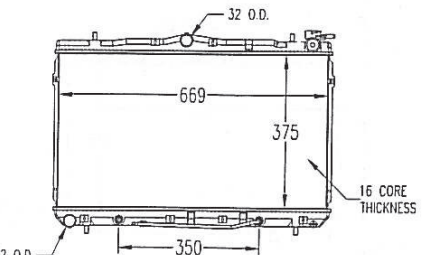
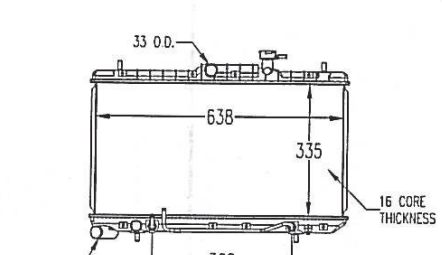


HYUNDAI

<p style="text-align: center;">00-02 Accent</p> <p>LT0604 DPI:2601</p>  <p style="text-align: center;">Core Size: 13-3/16×25-1/8×5/8</p> <p>Inlet Header: 26-1/4×1-7/16 Inlet Conn: 1-5/16 Outlet Header: 26-1/4×1-3/4 Outlet Conn: 1-5/16 Tran Oil Cooler: NONE Eng Oil Cooler: NONE</p>	<p style="text-align: center;">97-97 Tiburon/97-00 Elantra</p> <p>LT0340 DPI:1897</p>  <p style="text-align: center;">Core Size: 14-3/4×26-5/16×5/8</p> <p>Inlet Header: 27-1/6×1-1/2 Inlet Conn: 1-1/4 Outlet Header: 27-1/6×1-1/2 Outlet Conn: 1-1/4 Tran Oil Cooler: NONE Eng Oil Cooler: 13-3/4(Concentric)</p>
<p style="text-align: center;">97-97 Tiburon/97-00 Elantra</p> <p>LT0341 DPI:1897</p>  <p style="text-align: center;">Core Size: 14-3/4×26-5/16×5/8</p> <p>Inlet Header: 27-1/6×1-1/2 Inlet Conn: 1-1/4 Outlet Header: 27-1/6×1-1/2 Outlet Conn: 1-1/4 Tran Oil Cooler: NONE Eng Oil Cooler: NONE</p>	<p style="text-align: center;">99-05 Sonata / 01-06 Magentis</p> <p>LT0492 DPI:2339</p>  <p style="text-align: center;">Core Size: 15-5/6×28-1/4×5/8</p> <p>Inlet Header: 28-5/8×1-7/8 Inlet Conn: 1-7/16 Outlet Header: 28-5/8×1-7/8 Outlet Conn: 1-7/16 Tran Oil Cooler: NONE Eng Oil Cooler: 15(Concentric)</p>
<p style="text-align: center;">00-02 Accent</p> <p>LT0603 DPI:2600</p>  <p style="text-align: center;">Core Size: 13-3/16×25-1/8×5/8</p> <p>Inlet Header: 26-1/4×1-7/16 Inlet Conn: 1-5/16 Outlet Header: 26-1/4×1-3/4 Outlet Conn: 1-5/16 Tran Oil Cooler: NONE Eng Oil Cooler: 14-1/6(Concentric)</p>	<p style="text-align: center;">01-06 Elantra</p> <p>LT0523 DPI:2387</p>  <p style="text-align: center;">Core Size: 14-3/4×26×5/8</p> <p>Inlet Header: 26-1/2×1-7/8 Inlet Conn: 1-5/16 Outlet Header: 26-1/2×1-7/8 Outlet Conn: 1-5/16 Tran Oil Cooler: NONE Eng Oil Cooler: 14-9/16(Concentric)</p>

HYUNDAI

<p>01-06 Elantra</p> <p>LT0524 DPI: 2388</p>  <p>Core Size: 14-3/4×26×5/8</p> <p>Inlet Header: 26-1/2×1-7/8 Inlet Conn: 1-5/16 Outlet Header: 26-1/2×1-7/8 Outlet Conn: 1-5/16 Tran Oil Cooler: NONE Eng Oil Cooler: NONE</p>	<p>01-06 Santa FE</p> <p>LT0525 DPI: 2389</p>  <p>Core Size: 15-3/4×28-1/2×5/8</p> <p>Inlet Header: 1-15/16×28-11/16 Inlet Conn: 1-3/8 Outlet Header: 1-15/16×28-11/16 Outlet Conn: 1-3/8 Tran Oil Cooler: NONE Eng Oil Cooler: 17-5/16 (Concentric)</p>
<p>NISSENS: 67030</p>	
<p>01-05 Santa FE</p> <p>LT0601 DPI: 2587</p>  <p>Core Size: 14-3/4×26×5/8</p> <p>Inlet Header: 26-1/2×1-7/8 Inlet Conn: 1-5/16 Outlet Header: 26-1/2×1-7/8 Outlet Conn: 1-5/16 Tran Oil Cooler: NONE Eng Oil Cooler: 14-9/16 (Concentric)</p>	<p>01-05 Santa FE</p> <p>LT0526 DPI: 2390</p>  <p>Core Size: 15-3/4×28-1/2×5/8</p> <p>Inlet Header: 1-15/16×28-11/16 Inlet Conn: 1-3/8 Outlet Header: 1-15/16×28-11/16 Outlet Conn: 1-3/8 Tran Oil Cooler: NONE Eng Oil Cooler: NONE</p>
<p>01- Eclipse</p> <p>LT0527 DPI: 2391</p>  <p>Core Size: 14-3/4×26-5/16×5/8</p> <p>Inlet Header: 27-1/6×1-1/2 Inlet Conn: 1-1/4 Outlet Header: 27-1/6×1-1/2 Outlet Conn: 1-1/4 Tran Oil Cooler: NONE Eng Oil Cooler: 13-3/4 (Concentric)</p>	<p>01- Eclipse</p> <p>LT0491 DPI: 2338</p>  <p>Core Size: 13-3/16×25-1/8×5/8</p> <p>Inlet Header: 26-1/4×1-7/16 Inlet Conn: 1-5/16 Outlet Header: 26-1/4×1-3/4 Outlet Conn: 1-5/16 Tran Oil Cooler: NONE Eng Oil Cooler: 17-5/16 (Concentric)</p>
<p>OEM: MR373103</p>	

HYUNDAI

07- Accent		07- Accent	
LT0636	DPI:2896	LT0493	DPI:2339
<p>Core Size: 14-5/8×25-1/8×5/8</p> <p>Inlet Header: 25-15/16×1-7/8 Inlet Conn: 1-5/16 Outlet Header: 25-15/16×1-7/8 Outlet Conn: 1-5/16 Tran Oil Cooler: NONE Eng Oil Cooler: 14-9/16(Concentric)</p>		<p>Core Size: 15-5/6×28-1/4×5/8</p> <p>Inlet Header: 28-5/8×1-7/8 Inlet Conn: 1-7/16 Outlet Header: 28-5/8×1-7/8 Outlet Conn: 1-7/16 Tran Oil Cooler: NONE Eng Oil Cooler: NONE</p>	
OEM: 25310-0M150 / 25310-1E150			
97-99 Accent			
LT0313	DPI:1816		
<p>Core Size: 13-3/16×24×5/8</p> <p>Inlet Header: 24-1/4×1-5/12 Inlet Conn: 1-5/16 Outlet Header: 24-1/4×1-3/4 Outlet Conn: 1-5/16 Tran Oil Cooler: NONE Eng Oil Cooler: 12-1/2(Concentric)</p>			