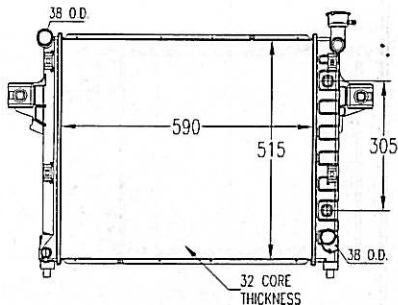
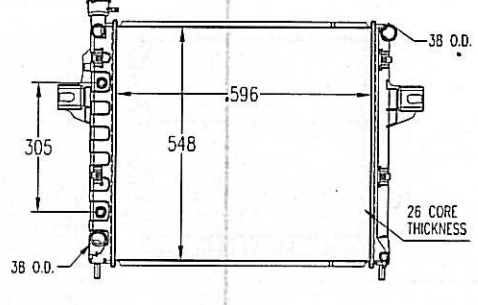
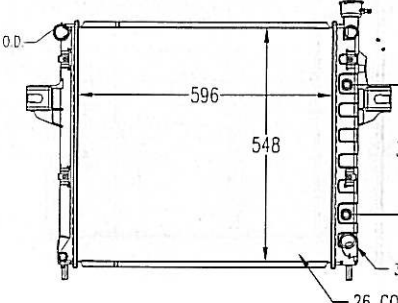
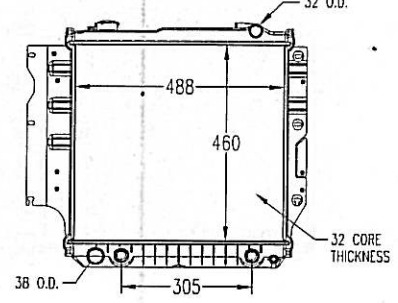
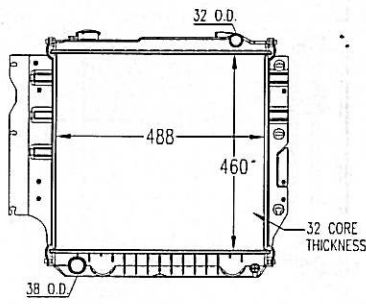
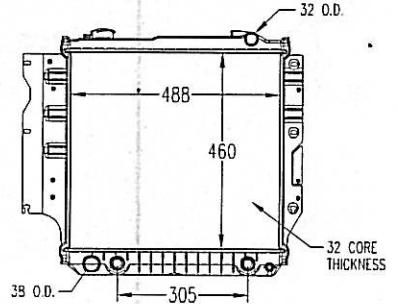
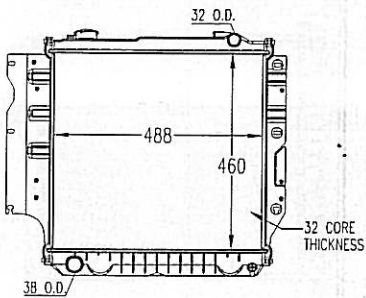
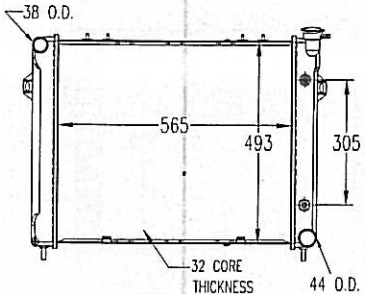
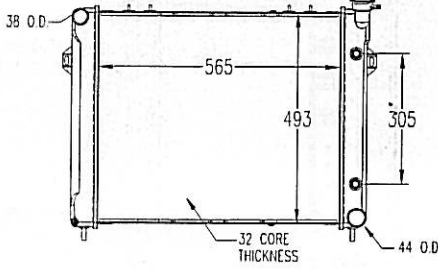
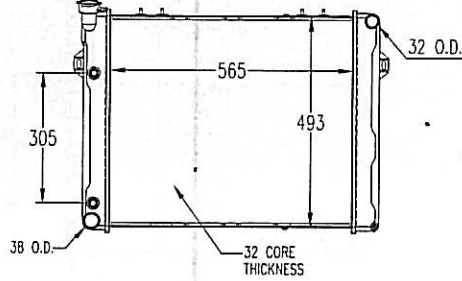
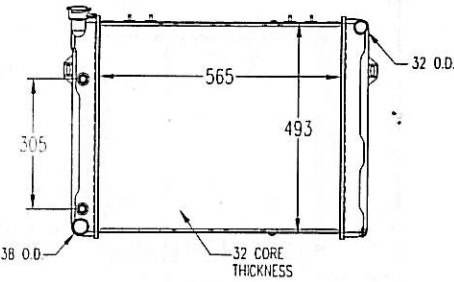
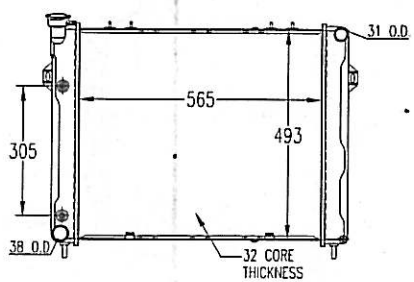
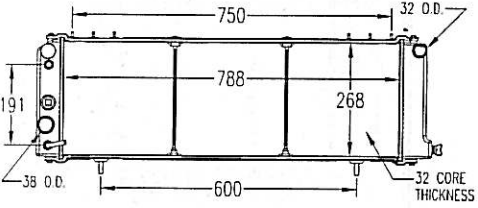
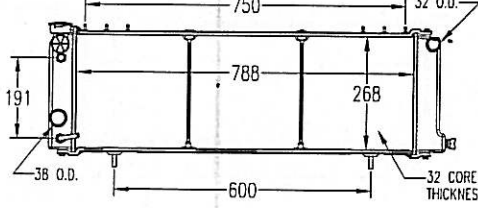
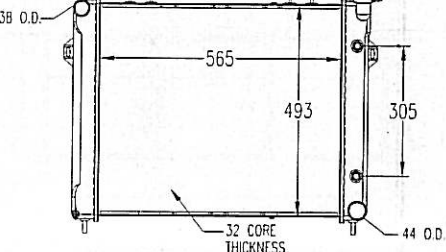
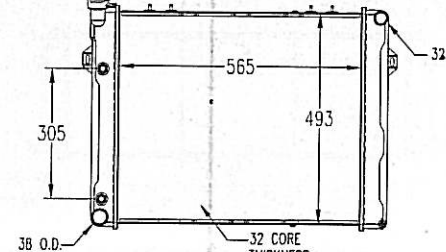
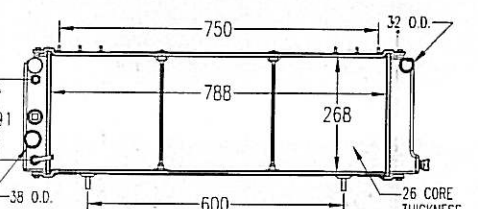
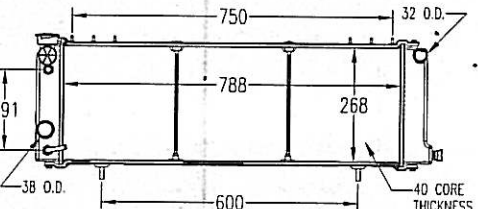


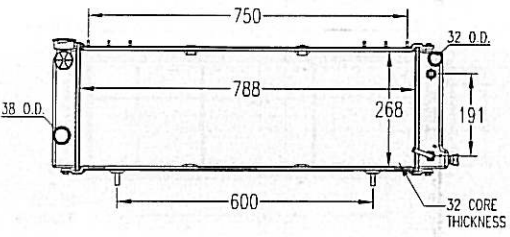
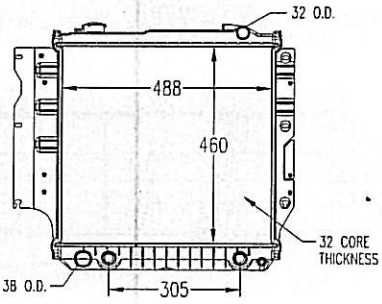
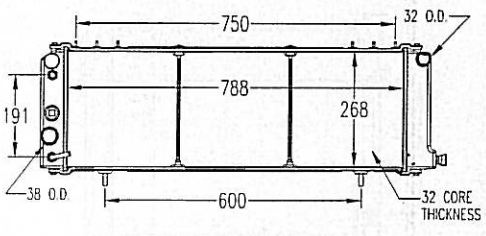
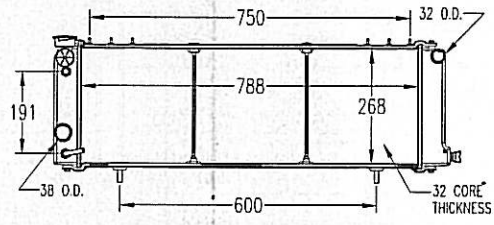
JEEP

<p>01-03 Grand Cherokee LT0490 DPI:2336</p>  <p>Core Size: 23-1/4×20-1/4×1</p> <p>Inlet Header: 21-1/8×2-3/8 Outlet Header: 21-1/8×2-3/8 Tran Oil Cooler: NONE</p> <p>Inlet Conn: 1-1/2 Outlet Conn: 1-1/2 Eng Oil Cooler: 12(6-Plate)</p> <p>OEM: 52079883 / 52079883AB</p>	<p>94-04 Grand Cherokee LT0438 DPI:2262</p>  <p>Core Size: 23-7/16×21-9/16×1</p> <p>Inlet Header: 22-7/16×2-3/8 Outlet Header: 22-7/16×2-3/8 Tran Oil Cooler: 12(6-Plate)</p> <p>Inlet Conn: 1-1/2 Outlet Conn: 1-1/2 Eng Oil Cooler: NONE</p> <p>OEM: 52079428 / 52079428AB NISSENS: 61009</p>
<p>99-00 Grand Cherokee LT0439 DPI:2263</p>  <p>Core Size: 23-7/16×21-9/16×1</p> <p>Inlet Header: 22-7/16×2-3/8 Outlet Header: 22-7/16×2-3/8 Tran Oil Cooler: 12(6-Plate)</p> <p>Inlet Conn: 1-1/2 Outlet Conn: 1-1/2 Eng Oil Cooler: NONE</p> <p>OEM: 52079425 / 52079425AB NISSENS: 61010</p>	<p>91-95 Wrangler LT0261 DPI:1682</p>  <p>Core Size: 18-1/8×19-3/16×1-1/4</p> <p>Inlet Header: 20-3/16×2-3/8 Outlet Header: 20-3/16×2-3/8 Tran Oil Cooler: 12(Concentric)</p> <p>Inlet Conn: 1-1/4 Outlet Conn: 1-1/2 Eng Oil Cooler: NONE</p> <p>OEM: 52029160 / 52028112</p>
<p>91-95 Wrangler LT0262 DPI:1682</p>  <p>Core Size: 18-1/8×19-1/4×1-1/4</p> <p>Inlet Header: 20-1/8×2-3/8 Outlet Header: 20-1/8×2-3/8 Tran Oil Cooler: NONE</p> <p>Inlet Conn: 1-1/4 Outlet Conn: 1-1/2 Eng Oil Cooler: NONE</p> <p>OEM: 52029160 / 52028112</p>	<p>91-95 Wrangler LT0089 DPI:1015</p>  <p>Core Size: 18-1/8×19-3/16×1-1/4</p> <p>Inlet Header: 20-3/16×2-3/8 Outlet Header: 20-3/16×2-3/8 Tran Oil Cooler: 12(Concentric)</p> <p>Inlet Conn: 1-1/4 Outlet Conn: 1-1/2 Eng Oil Cooler: NONE</p> <p>OEM: 52006124 / 52006125</p>

<p>91-95 Wrangler LT0090</p> <p style="text-align: right;">DPI:1015</p>  <p>Core Size: 18-1/8x19-1/4x1-1/4</p> <p>Inlet Header: 20-1/8x2-3/8 Inlet Conn: 1-1/4 Outlet Header: 20-1/8x2-3/8 Outlet Conn: 1-1/2 Tran Oil Cooler: NONE Eng Oil Cooler: NONE</p> <p>OEM: 52006124 / 52006125</p>	<p>98-98 Grand Cherokee LT0418</p> <p style="text-align: right;">DPI:2206</p>  <p>Core Size: 22-1/4x19-7/16x1-1/4</p> <p>Inlet Header: 20-7/16x2-1/4 Inlet Conn: 1-1/4 Outlet Header: 20-7/16x2-1/4 Outlet Conn: 1-1/2 Tran Oil Cooler: NONE Eng Oil Cooler: 12</p> <p>OEM: 52079598</p>
<p>93-97 Grand Cherokee LT0428</p> <p style="text-align: right;">DPI:2230</p>  <p>Core Size: 22-1/4x19-7/16x1-1/4</p> <p>Inlet Header: 20-7/16x2-5/16 Inlet Conn: 1-1/2 Outlet Header: 20-7/16x2-5/16 Outlet Conn: 1-3/4 Tran Oil Cooler: 12(Concentric) Eng Oil Cooler: NONE</p> <p>OEM: 4734104</p>	<p>LT0174</p> <p style="text-align: right;">DPI:1395</p>  <p>Core Size: 22-1/4x19-7/16x1-1/4</p> <p>Inlet Header: 20-7/16x2-5/16 Inlet Conn: 1-1/4 Outlet Header: 20-7/16x2-5/16 Outlet Conn: 1-1/2 Tran Oil Cooler: 12(Concentric) Eng Oil Cooler: NONE</p> <p>OEM: 4734104 / 52005166</p>
<p>93-97 Grand Cherokee LT0429</p> <p style="text-align: right;">DPI:2231</p>  <p>Core Size: 22-1/4x19-7/16x1-1/4</p> <p>Inlet Header: 20-7/16x2-5/16 Inlet Conn: 1-1/4 Outlet Header: 20-7/16x2-5/16 Outlet Conn: 1-1/2 Tran Oil Cooler: NONE Eng Oil Cooler: 12(Concentric)</p> <p>OEM: 52028378 / 52028379</p>	<p>98-98 Grand Cherokee LT0409</p> <p style="text-align: right;">DPI:2182</p>  <p>Core Size: 22-1/4x19-7/16x1-1/4</p> <p>Inlet Header: 20-7/16x2-1/4 Inlet Conn: 1-1/4 Outlet Header: 20-7/16x2-1/4 Outlet Conn: 1-1/2 Tran Oil Cooler: NONE Eng Oil Cooler: 12</p> <p>OEM: 52079597 / 52079598AB</p>

<p>87-90 Comanche/84-90 Cherokee/Wagoneer (78 32mm) 87-90 Comanche/84-90 Cherokee/Wagoneer (78 26mm)</p>	<p>91-92 Cherokee/91-01 Cherokee/Wagoneer (1193 32mm) 91-92 Comanche/91-01 Cherokee/Wagoneer (1193 26mm) 91-92 Comanche/91-01 Cherokee/Wagoneer (1193 42mm)</p>
<p>LT0008 DPI:78</p>  <p>Core Size: 31×10-9/16×1-1/4</p> <p>Inlet Header: 11-3/16×2-11/16 Inlet Conn: 1-1/4 Outlet Header: 11-3/16×2-11/16 Outlet Conn: 1-1/2 Tran Oil Cooler: 7-1/2 (Concentric) Eng Oil Cooler: NONE</p> <p>OEM: 53001700 / 8592002094</p>	<p>LT0124 DPI:1193</p>  <p>Core Size: 31×10-9/16×1-1/4</p> <p>Inlet Header: 11-3/16×2-11/16 Inlet Conn: 1-1/4 Outlet Header: 11-3/16×2-11/16 Outlet Conn: 1-1/2 Tran Oil Cooler: 7-1/2 (Concentric) Eng Oil Cooler: NONE</p> <p>OEM: 8952003254 / 8952003255 NISSENS: 6098B1</p>
<p>93-97 Grand Cherokee</p>	<p>93-97 Grand Cherokee</p>
<p>LT0173 DPI:1394</p>  <p>Core Size: 22-1/4×19-7/16×1-1/4</p> <p>Inlet Header: 20-7/16×2-5/16 Inlet Conn: 1-1/2 Outlet Header: 20-7/16×2-5/16 Outlet Conn: 1-3/4 Tran Oil Cooler: 12 (Concentric) Eng Oil Cooler: NONE</p> <p>OEM: 52006644 / 52028378 NISSENS: 609901</p>	<p>LT0175 DPI:1396</p>  <p>Core Size: 22-1/4×19-7/16×1-1/4</p> <p>Inlet Header: 20-7/16×2-5/16 Inlet Conn: 1-1/4 Outlet Header: 20-7/16×2-5/16 Outlet Conn: 1-1/2 Tran Oil Cooler: 12 (Concentric) Eng Oil Cooler: NONE</p> <p>OEM: 8952005172 / 52005166</p>
<p>87-90 Comanche/84-90 Cherokee/Wagoneer (78 32mm) 87-90 Comanche/84-90 Cherokee/Wagoneer (78 26mm)</p>	<p>91-92 Cherokee/91-01 Cherokee/Wagoneer (1193 32mm) 91-92 Comanche/91-01 Cherokee/Wagoneer (1193 26mm) 91-92 Comanche/91-01 Cherokee/Wagoneer (1193 42mm)</p>
<p>LT0007 DPI:78</p>  <p>Core Size: 31×10-9/16×1</p> <p>Inlet Header: 11-3/16×2-11/16 Inlet Conn: 1-1/4 Outlet Header: 11-3/16×2-11/16 Outlet Conn: 1-1/2 Tran Oil Cooler: 7-1/2 (Concentric) Eng Oil Cooler: NONE</p> <p>OEM: 53001700 / 8592002094</p>	<p>LT0125 DPI:1193</p>  <p>Core Size: 31×10-9/16×1-9/16</p> <p>Inlet Header: 11-3/16×2-11/16 Inlet Conn: 1-1/4 Outlet Header: 11-3/16×2-11/16 Outlet Conn: 1-1/2 Tran Oil Cooler: 7-1/2 (Concentric) Eng Oil Cooler: NONE</p> <p>OEM: 8952003254 / 8952003255</p>

JEEP

<p>91-01 Cherokee/Wagoneer LT0494</p> <p style="text-align: right;">DPI:2340</p>  <p>Core Size: 31×10-9/16×1-1/4</p> <p>Inlet Header: 11-5/16×2-11/16 Inlet Conn: 1-1/4 Outlet Header: 11-5/16×2-11/16 Outlet Conn: 1-1/2 Tran Oil Cooler: 7-1/2 (Concentric) Eng Oil Cooler: NONE</p>	<p>97-04 Wrangler LT0393</p> <p style="text-align: right;">DPI:2101</p>  <p>Core Size: 18-1/8×19-3/16×1-1/4</p> <p>Inlet Header: 20-3/16×2-3/8 Inlet Conn: 1-1/4 Outlet Header: 20-3/16×2-3/8 Outlet Conn: 1-1/2 Tran Oil Cooler: 12 (Concentric) Eng Oil Cooler: NONE</p> <p>OEM: 52028041 / 52028114AB NISSENS: 60993</p>
<p>LT0661</p> <p style="text-align: right;">DPI:121</p>  <p>Core Size: 31×10-9/16×1-1/4</p> <p>Inlet Header: 11-5/16×2-11/16 Inlet Conn: 1-1/4 Outlet Header: 11-5/16×2-11/16 Outlet Conn: 1-1/2 Tran Oil Cooler: 7-1/2 (Concentric) Eng Oil Cooler: NONE</p> <p>OEM: 8952002094 / 8952002584</p>	<p>LT0665</p> <p style="text-align: right;">DPI:1592</p>  <p>Core Size: 31×10-9/16×1-1/4</p> <p>Inlet Header: 11-5/16×2-11/16 Inlet Conn: 1-1/4 Outlet Header: 11-5/16×2-11/16 Outlet Conn: 1-1/2 Tran Oil Cooler: 7-1/2 (Concentric) Eng Oil Cooler: NONE</p> <p>OEM: 52004917 / 52028131</p>